

4

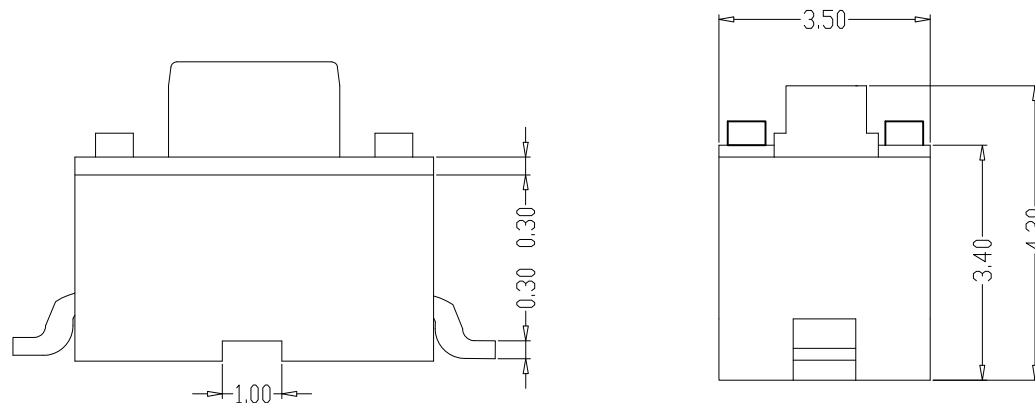
3

2

1

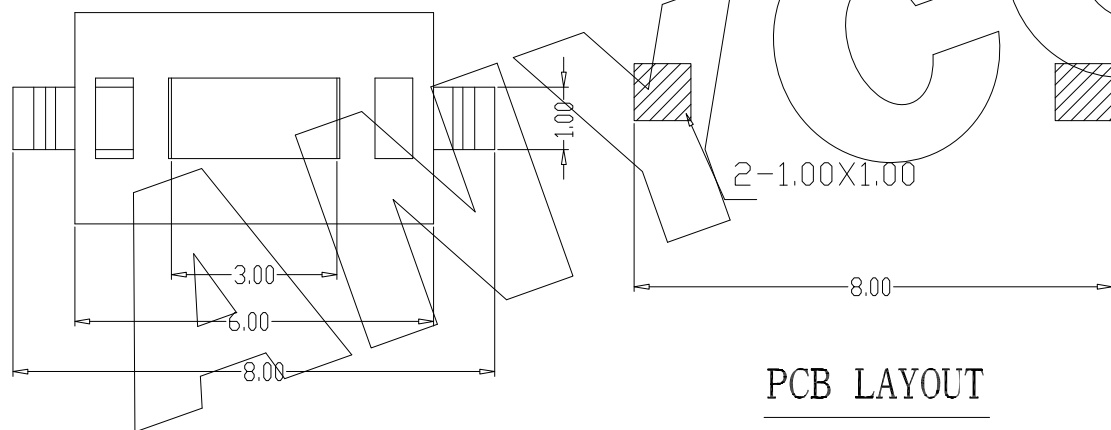
REVISION DATA

REV	DESCRIPTION	DATE
A0	NEW DRAWING	2015-06-08



SPECIFICATIONS

1. Current Rating: 0.05A AC, DC
2. Voltage Rating: 12V DC
3. Temperature Range: -25°C ~ +85°C
4. Contact Resistance: 0.1Ω Max
5. Insulation Resistance: 100mΩ Min
6. Withstanding Voltage: 250V AC/minute



ANYCONN® 东莞市恩康电子有限公司

www.enkcom.com

DONGGUAN ANYCONN ELECTRONICS CO.,LTD

TOLERANCE	PROJECTON		TITLE:	KFC-3*6*4.3		
ANGLE ±3°	DATE :	2015-06-08	PART NO:			
X.XXX ±0.03	DRAWN :	Songjun	DRAWING NO:			
X.XX ±0.05	CHECKED :		REV:	A0	UNIT:	mm
X.X ±0.10	APPROVED :		SCALE:	1:1	SIZE:	A4
X. ±0.20						

4

3

2

1