

4

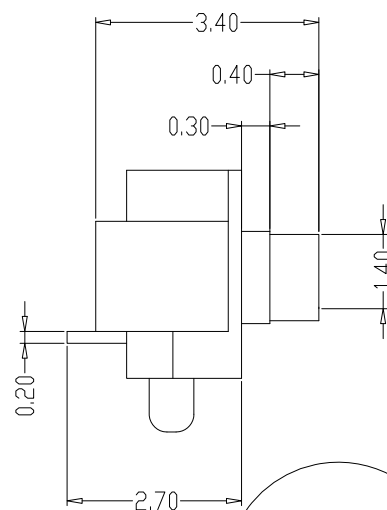
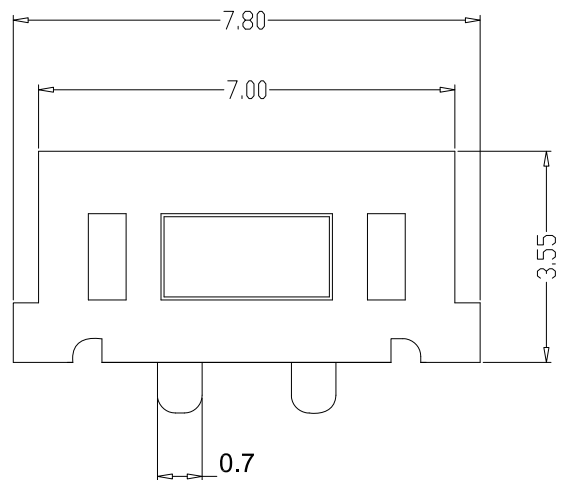
3

2

1

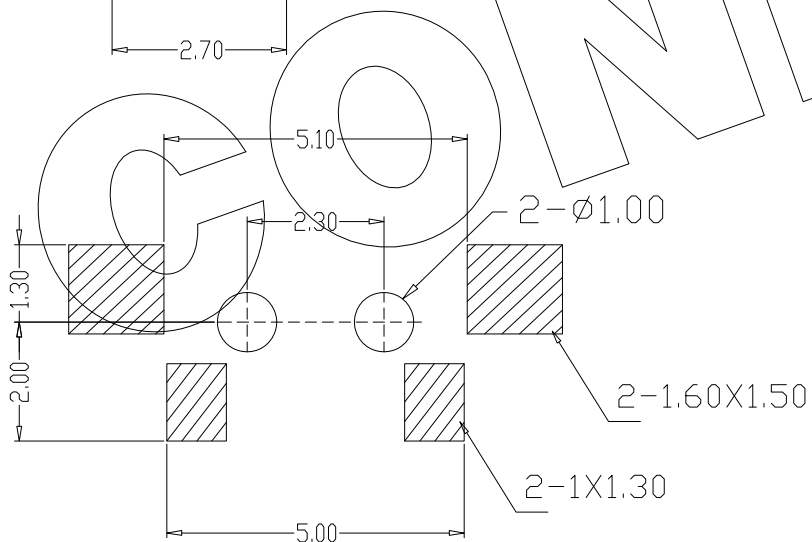
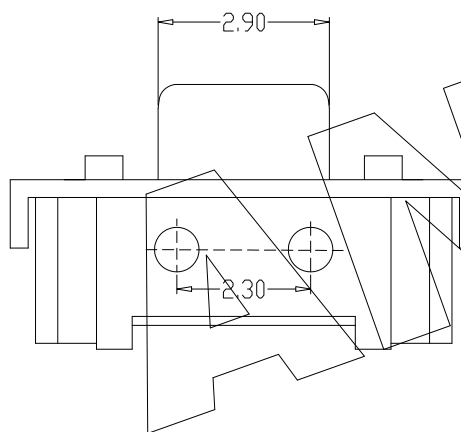
REVISION DATA

REV	DESCRIPTION	DATE
A0	NEW DRAWING	2015-06-08



SPECIFICATIONS

1. Current Rating: 0.05A AC, DC
2. Voltage Rating: 12V DC
3. Temperature Range: -25°C ~ +85°C
4. Contact Resistance: 0.1Ω Max
5. Insulation Resistance: 100mΩ Min
6. Withstanding Voltage: 250V AC/minute



PCB LAYOUT

ANYCONN® 东莞市恩康电子有限公司

www.enkcom.com

DONGGUAN ANYCONN ELECTRONICS CO.,LTD

TOLERANCE	PROJECTON		TITLE:
ANGLE ±3°	DATE :	2015-06-08	轻触开关
X.XXX ±0.03	DRAWN :	Songjun	PART NO: KFC-3*6*3.5侧接
X.XX ±0.05	CHECKED :		DRAWING NO:
X.X ±0.10	APPROVED :		REV: A0
X. ±0.20			UNIT: mm
			SCALE: 1:1
			SIZE: A4

4

3

2

1