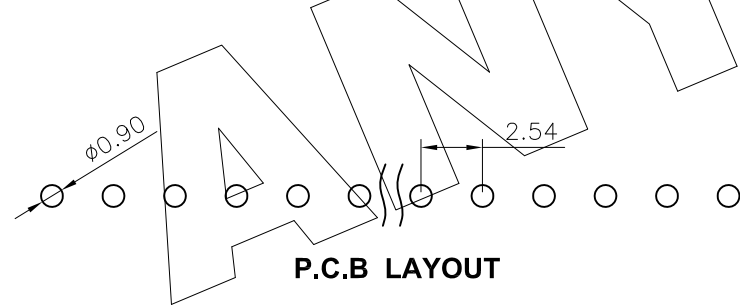
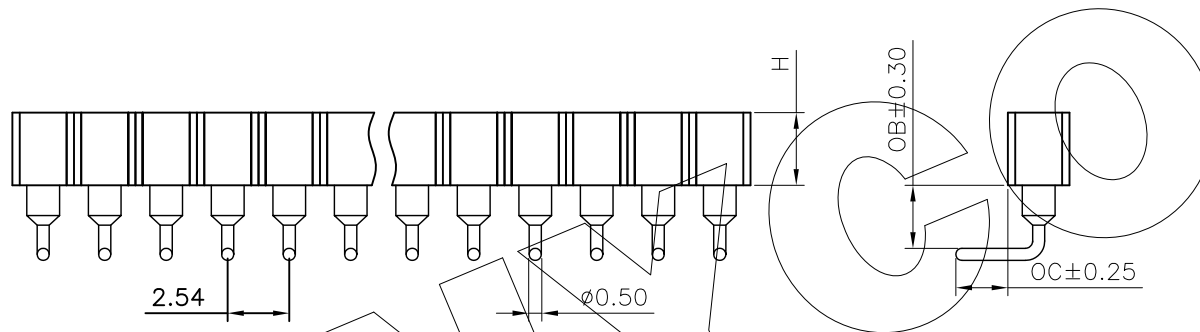
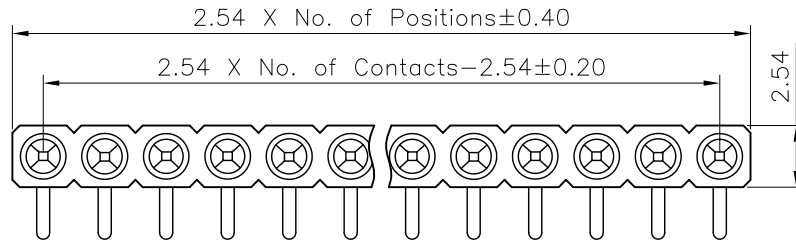


REVISION DATA

REV	DESCRIPTION	DATE
A0	NEW DRAWING	2012-10-25



Technical Data

Material:

Pin(outer sleeve): Brass, machined CuZn38Pb2
 Clip(contact 4 finger): phosphor bronze, heat treated
 Plating(outer sleeve):
 Tin plated: 2µm/80µ"Ni, 5µm/200µ"Sn
 Gold Plated: 2µm/80µ"Ni, 0.8 µ" gold
 Plating(contact): 2µm/80µ"Ni, gold or Tin plated
 Insulator(black): PPS (UL94V-0)

Electrical:

Current rating: 3Amps/contact max.
 Contact resistance: ≤4mΩ/contact
 Insulation resistance: ≥1000MΩ at V=100V
 Operating voltage: 60VAC/DC

Mechanical:

Average insertion force with steel pin of
 Ø0.43mm/. 017": <250g
 Average withdrawal force with steel pin of
 Ø0.43mm/. 017": >90g min.
 Mechanical life cycle: min. 200
 Operating temperatures: Gold Plated: -55°C to +105°C
 Tin plated: -40°C to +105°C
 Soldering temperature: +260°C, 10s max

PB	R	XXX	0	7	E	X	XX	0897A	0	00
Angel Options D 180°直插 R 90°斜穿 S SMT H 卧式卧插 A 单排SMT 第1Pin朝下 B 单排SMT 第1Pin朝上	No. of Positions XXX Positions	Dip Spacing 0 No 1 1.27mm 2 2.54mm 3 7.62mm 4 10.16mm 5 15.24mm 6 22.86mm A 2.00mm S Special	Insulator Height 0 No 1 1.20 mm 2 1.90 mm 3 2.20 mm 4 2.10 mm 5 2.20 mm 6 2.80 mm 7 3.00 mm 8 3.80 mm 9 4.10 mm A 4.20 mm B 7.00 mm S Special	Insulator type A PBT单排 B PBT双排 C PBT中空 D PBT带耳 E PPS单排 F PPS双排 G PPS中空 H PPS带耳 I PA46单排 J PA46双排 K PA46三排 L PA46单排 M LCP四排	Pin Plated 0 No 1 Tin20µ" 插 2 Tin200µ" 3 Gold0.4µ" 全 4 Gold0.8µ" 5 Gold1µ" 6 Gold1.5µ" 7 Gold2µ" 8 Gold3µ" 9 Gold5µ" A Gold8µ" B Gold10µ" C Gold15µ" D Gold30µ" E Ag plated F Nickel80µ"	Clip plated 00 No 1 Tin20µ" 插 2 Tin200µ" 3 Gold0.4µ" 全 4 Gold0.8µ" 5 Gold1µ" 6 Gold1.5µ" 7 Gold2µ" 8 Gold3µ" 9 Gold5µ" A Gold8µ" B Gold10µ" C Gold15µ" D Gold30µ" E Ag plated F Nickel80µ"	Pin length(mm) 0897A 8.97mm S Special	Insulator Option 0 No	Series 00 No	

ANYCONN® 东莞市恩康电子有限公司

www.enkcom.com

DONGGUAN ANYCONN ELECTRONICS CO.,LTD

TOLERANCE	PROJECTON		TITLE: 2.54mmPitch SIP Sockets Single Row Right Angle Pin Length 8.97mm
ANGLE ±5°	DATE :	2012-10-25	PART NO: PBRXXX07EXXX0897A000
X.XXX ±0.10	DRAWN :	LSJ	DRAWING NO:
X.XX ±0.20	CHECKED :		REV: A0 UNIT: mm SCALE: 1:1 SIZE: A4
X.X ±0.30	APPROVED :		
X. ±0.50			