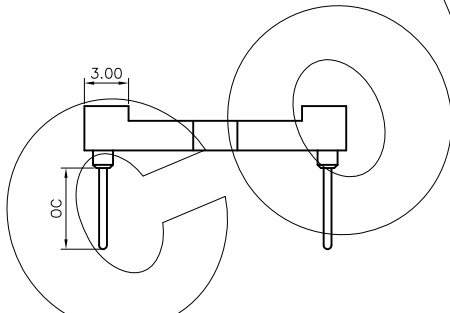
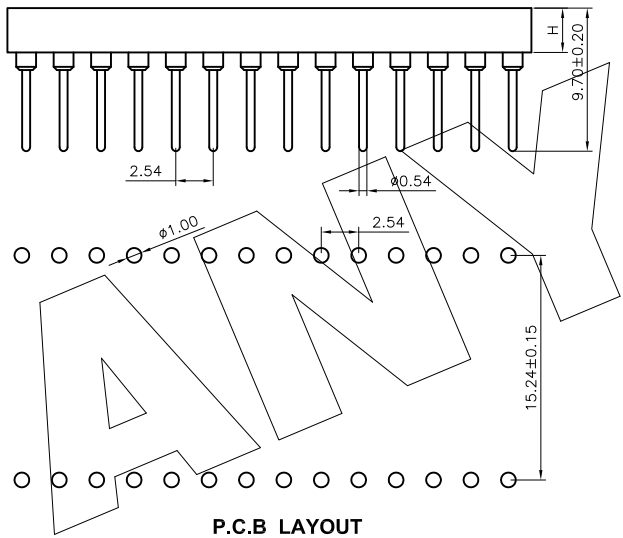
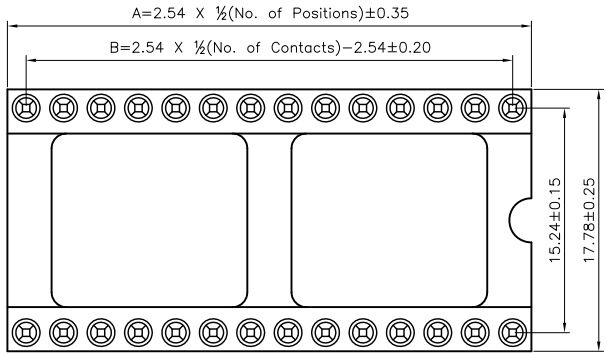


REVISION DATA		
REV	DESCRIPTION	DATE
A0	NEW DRAWING	2012-10-27



No. of positions	DIM "A"	DIM "B"	TYPE
20	25.40	22.86	无 積
24	30.48	27.94	
28	35.56	33.02	
32	40.64	38.10	
40	50.80	48.26	
20	25.40	22.86	帶 積
24	30.48	27.94	
28	35.56	33.02	
32	40.64	38.10	
40	50.80	48.26	
42	53.34	50.80	
48	60.96	58.42	
64	81.28	78.74	

### Technical Data

**Material:**  
 Pin(outer sleeve): Brass, machined CuZn38Pb2  
 Clip(contact 4 finger): Beryllium copper, heat treated  
 Plating(outer sleeve):  
 Tin plated: 2µm/80µ"Ni, 5µm/200µ"Sn  
 Gold Plated: 2µm/80µ"nickel full gold  
 Plating(contact): 2µm/80µ"nickel, gold or Tin plated  
 Insulator black(housing): PBT OR PPS (UL94V-0)

**Electrical:**  
 Current rating: 3Amps/contact max.  
 Contact resistance: ≤ 4mΩ/contact  
 Insulation resistance: ≥ 1000MΩ at V=100V  
 Operating voltage: 60VAC/DC

**Mechanical:**  
 Average insertion force with steel pin of Ø0.43mm/0.017": < 250g  
 Average withdrawal force with steel pin of Ø0.43mm/0.017": > 90g min.  
 Mechanical life cycle: min.200  
 Operating temperatures: Gold Plated: -55°C to +105°C  
 Tin plated: -40°C to +105°C  
 Soldering temperature: +220°C, 10s max (PBT)  
 +260°C, 10s max (PPS)

<b>PB</b>	<b>D</b>	<b>XXX</b>	<b>6</b>	<b>7</b>	<b>X</b>	<b>X</b>	<b>XX</b>	<b>0970A</b>	<b>R</b>	<b>00</b>
Angel Options D 180°直插 R 90°折弯 S SMT H 贴片器贴 A 单排SMT 第1Pin朝下 B 单排SMT 第1Pin朝上	No. of Positions XXX Positions	Dip Spacing 0 No 1 1.27mm 2 2.54mm 3 7.62mm 4 10.16mm 6 15.24mm 9 22.86mm S Special	Insulator Height 0 No 1 1.20 mm 2 1.90 mm 3 2.00 mm 4 2.10 mm 5 2.20 mm 6 2.80 mm 7 3.00 mm 8 3.80 mm 9 4.10 mm A 4.20 mm B 7.00 mm S Special	Insulator type A PBT单排 B PBT双排 C PBT中空 D PBT带柱 E PPS单排 F PPS双排 G PPS中空 H PPS带柱 I PA46单排 J PA46双排 K PA46三排 L PA66单排 M LCP四排	Pin Plated 0 No 1 Tin120µ" 錫 2 Tin200µ" 錫 3 Gold0.4µ" 金 4 Gold0.8µ" 金 5 Gold1µ" 金 6 Gold1.5µ" 金 7 Gold2µ" 金 8 Gold3µ" 金 9 Gold5µ" 金 A Gold8µ" 金 B Gold10µ" 金 C Gold15µ" 金 D Gold30µ" 金 E Ag plated F Nickel80µ"	Clip plated 00 No 1 Tin120µ" 錫 2 Tin200µ" 錫 3 Gold0.4µ" 金 4 Gold0.8µ" 金 5 Gold1µ" 金 6 Gold1.5µ" 金 7 Gold2µ" 金 8 Gold3µ" 金 9 Gold5µ" 金 A Gold8µ" 金 B Gold10µ" 金 C Gold15µ" 金 D Gold30µ" 金 E Ag plated F Nickel80µ"	Pin length(mm) 0970A 9.70mm S Special	Insulator Option 0 No D 直角塑胶 R 圆角塑胶 S 小孔塑胶	Series 00 NO	

**ANYCONN® 东莞市恩康电子有限公司**  
 www.enkcom.com **DONGGUAN ANYCONN ELECTRONICS CO.,LTD**

TOLERANCE	PROJECTON		TITLE: 2.54mmPitch IC Sockets Straight DIP Spacing 15.24mm Pin Length 9.70mm
ANGLE ±5°	DATE :		2012-10-27
X.XXX ±0.10	DRAWN :	LSJ	PART NO: PBDXXX67XXXX0970AR00
X.XX ±0.20	CHECKED :		DRAWING NO:
X.X ±0.30	APPROVED :		REV: A0 UNIT: mm SCALE: 1:1 SIZE: A4