

4

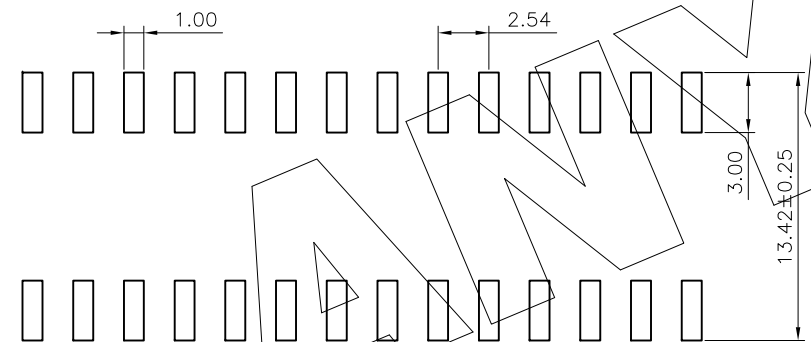
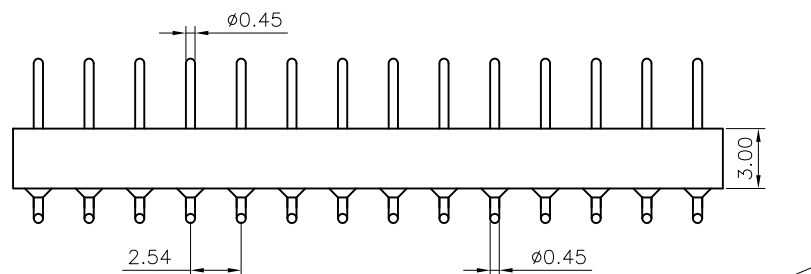
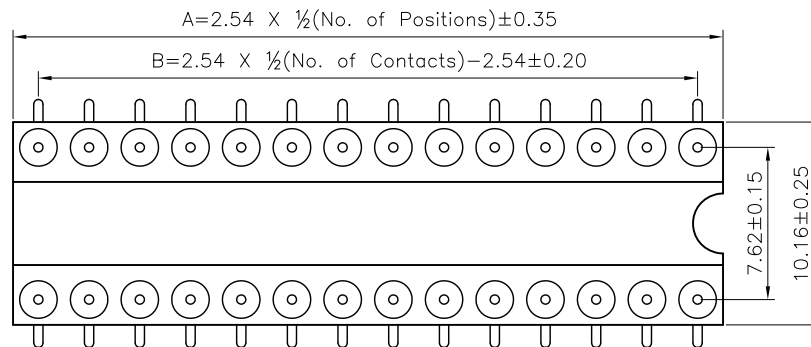
3

2

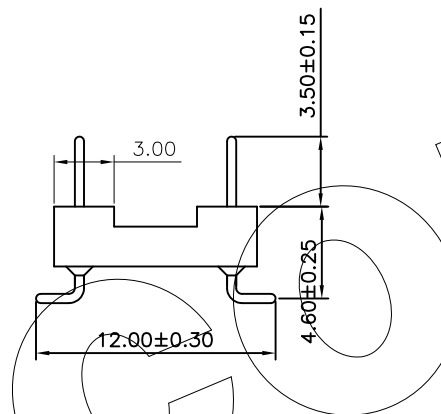
1

REVISION DATA

REV	DESCRIPTION	DATE
A0	NEW DRAWING	2015-07-09



P.C.B LAYOUT



No. of Positions	DIM"A"	DIM"B"	TYPE
6	7.62	5.08	无 横
8	10.16	7.62	
10	12.70	10.16	
14	17.78	15.24	
16	20.32	17.78	
18	22.86	20.32	
20	25.40	22.86	带 横
24	30.48	27.94	
28	35.56	33.02	
32	40.64	38.10	
40	50.80	48.26	
48	60.96	58.42	

Technical Data

Material:

Pin: Brass, machined CuZn38Pb2

Plating:

Tin plated: 2μm/80μ"Ni, 5μm/200μ"Sn

Gold Plated: 2μm/80μ"nickelfull gold

Insulator black(housing): PPS (UL94V-0)

Electrical:

Current rating: 3Amps/contact max.

Contact resistance: ≤ 4mΩ/contact

Insulation resistance: ≥ 1000MΩ at V=100V

Operating voltage: 60VAC/DC

Mechanical:

Operating temperatures: Gold Plated: -55°C to +105°C

Tin plated: -40°C to +105°C

Soldering temperature: +260°C, 10s max

PA

S

XXX

3

7

X

X

XX

1000E

R

02

Angel Options
D 180°直插
R 90°折弯
S SMT
H 卧式贴片
A 单排SMT
第1Pin朝下
B 单排SMT
第1Pin朝上

No. of Positions
XXX Positions

Dip Spacing
0 No
1 1.27mm
2 2.54mm
3 2.54mm
4 7.62mm
5 10.16mm
6 15.24mm
7 22.86mm
9 Special

Insulator Height
0 No
1 1.20 mm
2 1.90 mm
3 2.00 mm
4 2.10 mm
5 2.20 mm
6 2.80 mm
7 3.00 mm
8 3.80 mm
9 4.10 mm
A 4.20 mm
B 7.00 mm
S Special

Insulator type
A PBT单排
B PBT双排
C PBT中空
D PBT带杠
E PPS单排
F PPS双排
G PPS中空
H PPS带杠
I PA46单排
J PA46双排
K PA46三排
L PA66单排
M LCP四排

Pin Plated
0 No
1 Tin120μ" 锡
2 Tin200μ" 锡
3 Gold60.8μ" 金
4 Gold60.8μ" 金
5 Gold1μ" 金
6 Gold1.5μ" 金
7 Gold2μ" 金
8 Gold3μ" 金
9 Gold5μ" 金
A Gold8μ" 金
B Gold10μ" 金
C Gold15μ" 金
D Gold30μ" 金
E Ag plated 银
F Nickel80μ" 镍

Clip plated
0 No
1 Tin120μ" 锡
2 Tin200μ" 锡
3 Gold60.8μ" 金
4 Gold60.8μ" 金
5 Gold1μ" 金
6 Gold1.5μ" 金
7 Gold2μ" 金
8 Gold3μ" 金
9 Gold5μ" 金
A Gold8μ" 金
B Gold10μ" 金
C Gold15μ" 金
D Gold30μ" 金
E Ag plated 银
F Nickel80μ" 镍

Pin length(mm)
1000E 10.0mm
S Special

Insulator Option
0 No
D 直角塑胶
R 圆角塑胶
S 小孔塑胶

Series
02 实心塑胶

ANYCONN® 东莞市恩康电子有限公司

www.enkcom.com

DONGGUAN ANYCONN ELECTRONICS CO.,LTD

TOLERANCE	PROJECTON		TITLE: 2.54mmPitch IC Sockets Straight DIP Spacing 7.62mm Pin Length 10.0mm
	ANGLE ±5°		
X.XXX ±0.10	DATE :	2015-07-09	PART NO: PASXXX37XXXX1000ER02
X.XX ±0.20	DRAWN :	Songjun	DRAWING NO:
X.X ±0.30	CHECKED :		REV: A0
X. ±0.50	APPROVED :		UNIT: mm
			SCALE: 3:1
			SIZE: A4

4

3

2

1