

REVISION DATA

REV	DESCRIPTION	DATE
A0	NEW DRAWING	2014-01-07

Technical Data

Material:

Pin: Brass, machined CuZn38Pb2

Plating:

Tin plated: 2µm/80µ"Ni, 5µm/200µ"Sn

Gold Plated: 2µm/80µ"Ni, Full gold

Insulator(black): Black (PPS) UL94V-0

Electrical:

Current rating: 3Amps/contact max.

Contact resistance: ≤4mΩ/contact

Insulation resistance: ≥5000MΩ at V=500V

Dielectric Withstanding Voltage: 1000V AC Min

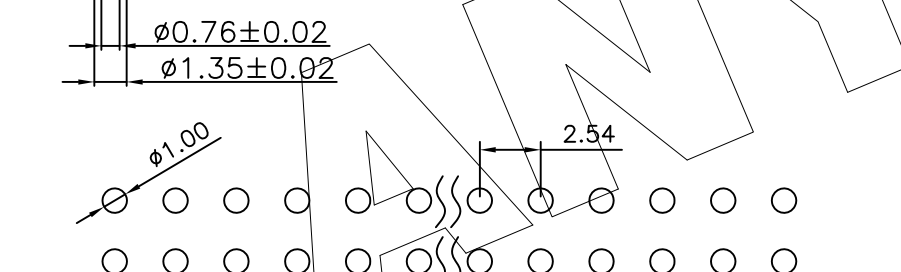
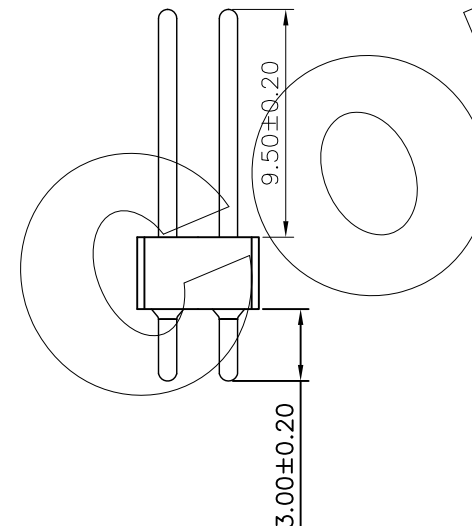
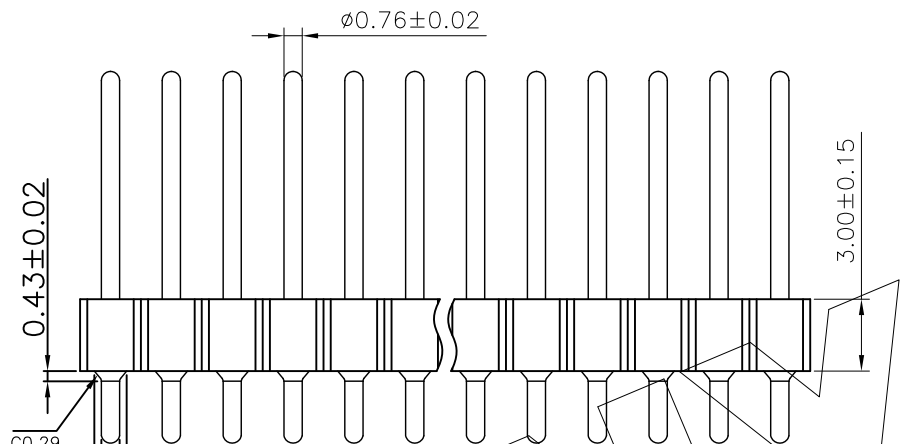
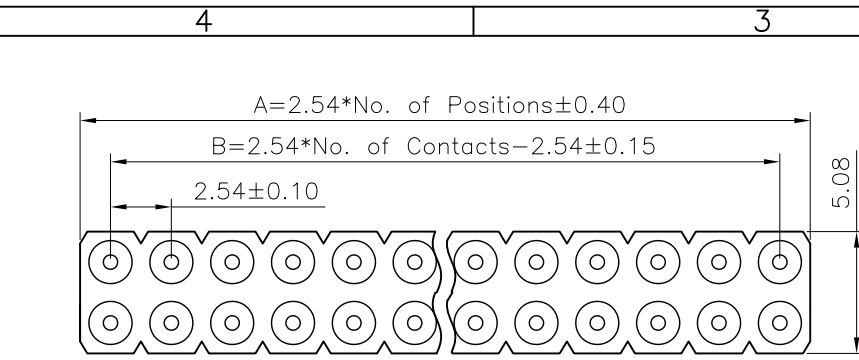
Operating voltage: 60VAC/DC

Mechanical:

Operating temperatures: Gold Plated: -55°C to +125°C

Tin plated: -40°C to +105°C

Soldering temperature: +260°C, 10s max.



P.C.B LAYOUT

PA	D	XXX	2	7	F	X	00	1550D	0	00
Angel Options D 180° 弯插 R 90° 弯插 S SMT H 卧式插板 A 单排SMT 第1Pin朝下 B 单排SMT 第1Pin朝上	No. of Positions XXX Positions	Dip Spacing 0 No 1 1.27mm 2 2.54mm 3 7.62mm 4 10.16mm 6 15.24mm 7 3.00mm 8 3.80mm 9 4.10mm A 4.20mm B 7.00mm S Special	Insulator Height 0 No 1 1.20mm 2 1.90mm 3 2.00mm 4 2.10mm 5 2.20mm 6 2.80mm 7 3.00mm 8 3.80mm 9 4.10mm A 4.20mm B 7.00mm S Special	Insulator type A PBT单排 B PBT双排 C PBT中空 D PBT非板 E PPS单排 F PPS双排 G PPS中空 H PPS非板 I PA46单排 J PA46双排 K PA46 三排 L PA66单排 M LCP四排	Pin Plated 0 No 1 Tin120µ" 插 2 Tin200µ" 3 Gold0.4µ" 金 4 Gold0.8µ" 5 Gold1µ" 6 Gold1.5µ" 7 Gold2µ" 8 Gold3µ" 9 Gold5µ" A Gold8µ" B Gold10µ" C Gold15µ" D Gold30µ" E Ag plated F Nickel80µ"	Clip plated 0 No 1 Tin120µ" 插 2 Tin200µ" 3 Gold0.4µ" 金 4 Gold0.8µ" 5 Gold1µ" 6 Gold1.5µ" 7 Gold2µ" 8 Gold3µ" 9 Gold5µ" A Gold8µ" B Gold10µ" C Gold15µ" D Gold30µ" E Ag plated F Nickel80µ"	Pin length(mm) 1550D 15.5mm S Special	Insulator Option 0 No	Series 00 No	

ANYCONN® 东莞市恩康电子有限公司

www.enkcom.com

DONGGUAN ANYCONN ELECTRONICS CO.,LTD

TOLERANCE	PROJECTON		TITLE: 2.54mmPitch Sip Sockets Stright Row
ANGLE ±5°	DATE :	2014-01-07	Pin Length 15.5mm
X.XXX ±0.10	DRAWN :	Jason	PART NO: PADXXX27FX001550D000
X.XX ±0.20	CHECKED :		DRAWING NO:
X.X ±0.30	APPROVED :		REV: A0
X. ±0.50			UNIT: mm
			SCALE: 3:1
			SIZE: A4