

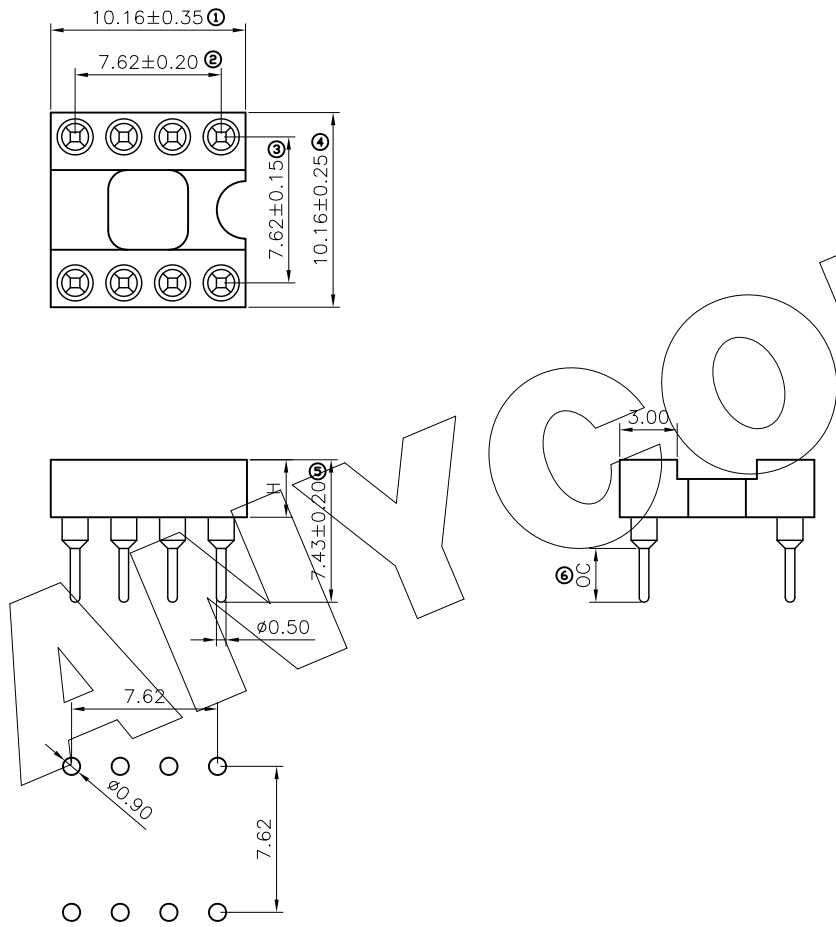
REVISION DATA		
REV	DESCRIPTION	DATE
A0	NEW DRAWING	2015-07-10

### Technical Data

**Material:**  
**Pin(outer sleeve):** Brass,machined CuZn38Pb2  
**Clip(contact 4 finger):** Beryllium copper,heat treated  
**Plating(outer sleeve):**  
 Tin plated:2um/80u"Ni, 5um/200u"Sn  
 Gold Plated:2um/80u"nickelfull gold  
**Plating(contact):** 2um/80u"nickel, gold or Tin plated  
**Insulator black(housing):** PBT or PPS (UL94V-0)

**Electrical:**  
 Current rating: 3Amps/contact max.  
 Contact resistance: ≤4mΩ/contact  
 Insulation resistance: ≥1000MΩ at V=100V  
 Operating voltage: 60VAC/DC

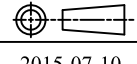
**Mechanical:**  
 Average insertion force with steel pin of  
 Ø0.43mm/0.017": <250g  
 Average withdrawal force with steel pin of  
 Ø0.43mm/0.017": >50g min.  
 Mechanical life cycle:min.200  
 Operating temperatures: Gold Plated:-55°C to+105°C  
 Tin plated:-40°C to+105°C  
 Soldering temperature: +220°C,10s max PBT  
 +260°C,10s max PPS



**P.C.B LAYOUT**

<b>PB</b>	<b>D</b>	<b>008</b>	<b>3</b>	<b>7</b>	<b>X</b>	<b>X</b>	<b>XX</b>	<b>0743A</b>	<b>R</b>	<b>00</b>
Angel Options D 180°直插	No. of Positions 008 08 Positions	Dip Spacing 0 No 1 1.27mm 2 2.54mm 3 7.62mm 4 10.16mm 6 15.24mm 9 22.86mm S Special	Insulator Height 7 3.00mm	Insulator type C PBT中空 G PPS中空	Pin Plated 0 No 1 Tin120u" 锡 2 Tin200u" 锡 3 Gold50.4u" 金 4 Gold60.8u" 金 5 Gold11u" 金 6 Gold11.5u" 金 7 Gold12u" 金 8 Gold35u" 金 9 Gold5u" 金 A Gold80u" 金 B Gold10u" 金 C Gold15u" 金 D Gold30u" 金 E Ag plated F Nickel80u" 金	Clip plated 1 Tin120u" 锡 2 Tin200u" 锡 3 Gold40.4u" 金 4 Gold50.8u" 金 5 Gold11u" 金 6 Gold11.5u" 金 7 Gold12u" 金 8 Gold35u" 金 9 Gold5u" 金 A Gold80u" 金 B Gold10u" 金 C Gold15u" 金 D Gold30u" 金 E Ag plated F Nickel80u" 金	Pin length(mm) 0743A 7.43mm S Special	Insulator Option 0 No D 直角塑胶 R 圆角塑胶 S 小孔塑胶	Series	

**ANYCONN® 东莞市恩康电子有限公司**  
 www.enkcom.com **DONGGUAN ANYCONN ELECTRONICS CO.,LTD**

TOLERANCE	PROJECTON		TITLE: 2.54mmPitch IC Sockets Straight DIP Spacing 7.62mm Pin Length 7.43mm
ANGLE ±5°	DATE :		2015-07-10
X.XXX ±0.05	DRAWN :	JASON	PART NO: PBD00837XXXX0743AR00
X.XX ±0.10	CHECKED :		DRAWING NO:
X.X ±0.15	APPROVED :		REV: A0 UNIT: mm SCALE: 3:1 SIZE: A4
X. ±0.25			