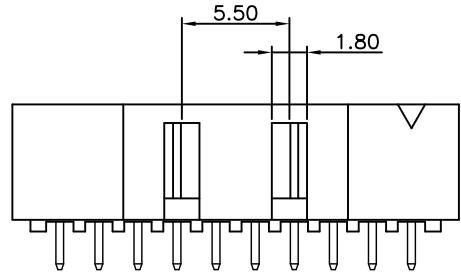
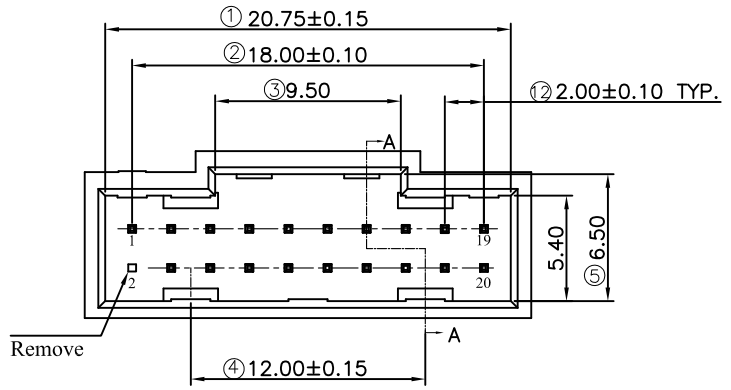


REVISION DATA		
REV	DESCRIPTION	DATE
A0	NEW DRAWING	2014-06-10



Technical Data

Material:

Contact Material: Brass

Contact plating: See the part NO.

Insulator Material: Blue Polyester UL94V-0

Standard: See the part NO.

Electrical:

Current rating: 2.0Amps/contact max.

Contact resistance: ≤20mΩ/contact

Insulation resistance: ≥1000MΩ at V=100V

Withstanding Voltage: 500V AC/minute

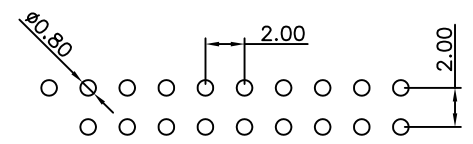
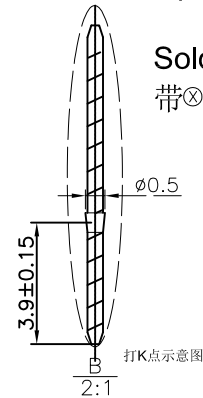
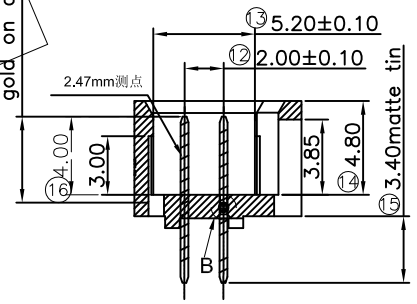
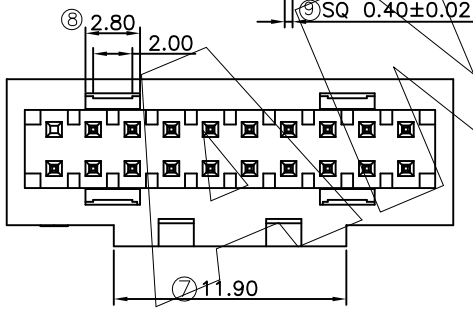
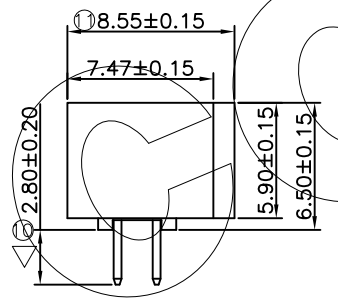
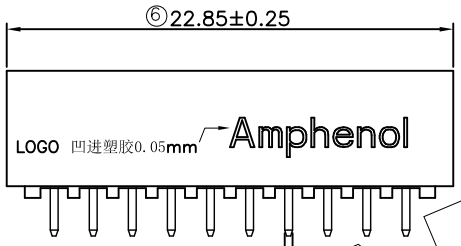
Mechanical:

Operating temperatures: Gold Plated: -55°C to +105°C

Tin plated: -40°C to +105°C

Soldering temperature: +260°C, 10s max. (PA9T)

带⊗为重点管控尺寸,带▽为CPK尺寸管控



P.C.B LAYOUT

BHM	XXX	12	D	XX	X	X	N	N006
	Pin位数 No. of Positions XXX Positions	产品型号 12 单塑双排	产品折弯类型 R 90° D 180°	端子电镀 00 无 G0 0.8μ"Au G1 1μ"Au G7 15μ"Au G8 30μ"Au M7 半金雾锡15μ" M8 半金雾锡30μ"	材质 A PBT+G/F30% C PA-6T+G/F30% D LCP+G/F30% E PA46+G/F30% F PA9T+G/F30%	颜色 B 黑色 W 白色 L 蓝色 G 绿色 Y 黄色 R 红色 N 本色		针长/特征流水码

ANYCONN® 东莞市恩康电子有限公司
 www.enkcom.com **DONGGUAN ANYCONN ELECTRONICS CO.,LTD**

TOLERANCE ANGLE ±5° X.XXX ±0.05 X.XX ±0.10 X.X ±0.15 X. ±0.20	PROJECTON		TITLE: PH2.00mm H6.5 Double Row Straight Box Header L8.65 SQ0.40
	DATE :	2014-06-10	PART NO: BHM02012DXXFXNXXXX
	DRAWN :	kanggc	DRAWING NO: EP-BHM-004
	CHECKED :		REV: A0 UNIT: mm SCALE: 1:1 SIZE: A4
APPROVED :			