

| REVISION DATA |             |            |
|---------------|-------------|------------|
| REV           | DESCRIPTION | DATE       |
| A0            | NEW DRAWING | 2011-12-20 |

## Technical Data

### Material:

Contact Material: Brass

Contact plating: Au 1u" Over 30u" Ni

Insulator Material: Black Polyester UL94V-0

Standard: PA6T +30%G.F

### Electrical:

Current rating: 1.0Amps/contact max.

Contact resistance: 20mΩ Max

Insulation resistance: 1000MΩ Min

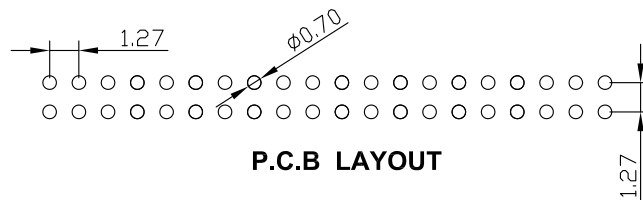
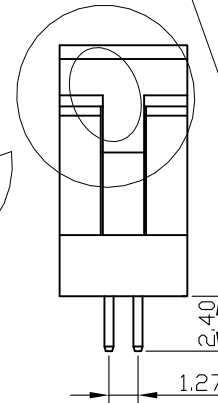
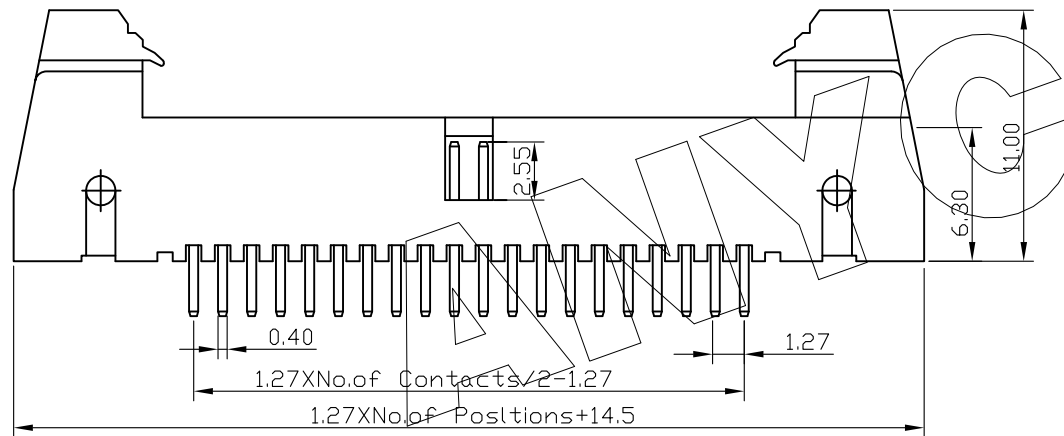
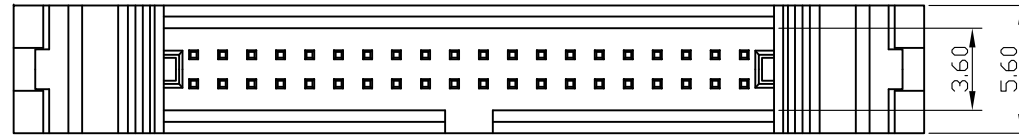
Withstanding Voltage: AC 500V

Operating temperatures: -40°C to +105°C

### Ordering Information

**BHK XXX 12D XX XBSD001**

|                                |   |   |
|--------------------------------|---|---|
| No. of Positions<br>002 2Poles | Pin Plating<br>G0 Gold Flash<br>G1 Gold 1u"<br>SN Sn120u" | Insulator<br>Material<br>A PBT<br>C PA6T<br>D LCP |
|--------------------------------|---|---|



**ANYCONN® 东莞市恩康电子有限公司**

www.enkcom.com

**DONGGUAN ANYCONN ELECTRONICS CO.,LTD**

|  |           |            |   |          |            |
|--|-----------|------------|---|----------|------------|
| TOLERANCE<br>ANGLE ±5°<br>X.XXX ±0.10<br>X.XX ±0.20<br>X.X ±0.30<br>X. ±0.50 | PROJECTON |            | TITLE:<br>1.27mm Pitch Double Row Right Angle<br>勾勾Box Header With lock |          |            |
|  | DATE :    | 2011-12-20 | PART NO: BHKXXX12DXXXBSD001   |          |            |
|  | DRAWN :   | LSJ        | DRAWING NO:   |          |            |
|  | CHECKED : |            | REV: A0   | UNIT: mm | SCALE: 3:1 |
| APPROVED :   |           |            |   |          |            |