

REVISION DATA

REV	DESCRIPTION	DATE
A0	NEW DRAWING	2011-12-24

Technical Data

Material:

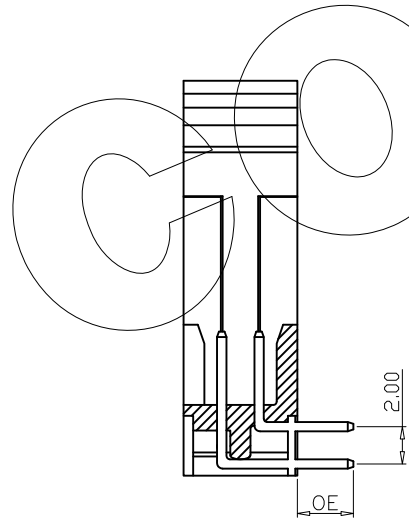
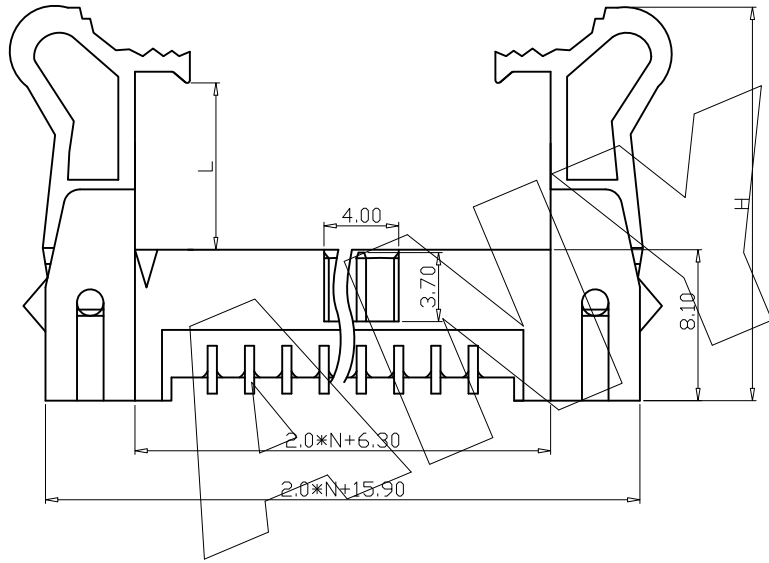
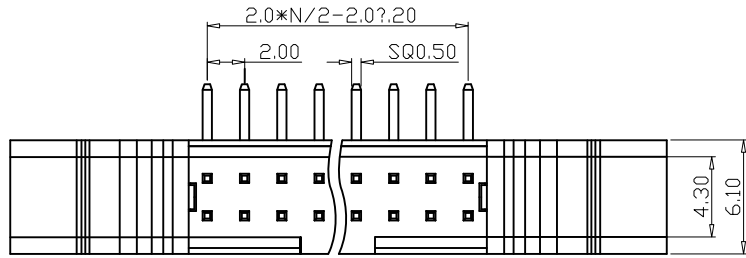
Contact Material: Brass Au Plating over Ni  
 Insulator Material: Black Polyester UL94V-0  
 Standard: PBT/PA6T+30%G.F

Electrical:

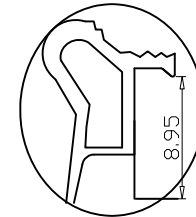
Current rating: 2Amps/contact max.  
 Contact resistance:  $\leq 20m\Omega$ /contact  
 Insulation resistance:  $\geq 1000M\Omega$  at V=100V  
 Withstanding Voltage: 500V AC/minute

Mechanical:

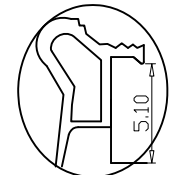
Operating temperatures: -40°C to +105°C



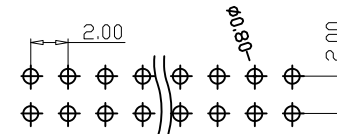
N=No. OF CONTACTS



Long Latch  
A TYPE



Short Latch  
B TYPE



BHJ	XXX	12	R	XX	X	X	X	R001
Pin位数 No. of Positions XXX Positions	产品型号 12 单塑双排	产品折弯类型 R 90°	端子电镀 00 无 G0 0.8μ"Au G1 1μ"Au G2 2μ"Au G3 3μ"Au G4 5μ"Au G5 8μ"Au G6 10μ"Au G7 15μ"Au G8 30μ"Au	材质 A PBT C PA-6T D LCP F PA6T	颜色 B 黑色 W 白色 L 蓝色 G 绿色 Y 黄色 R 红色 N 本色	特征流水码 A H8.95 B H5.10	针长/特征流水码 R001 L=9.9/13.9	

ANYCONN® 东莞市恩康电子有限公司

www.enkcom.com

DONGGUAN ANYCONN ELECTRONICS CO.,LTD

TOLERANCE	PROJECTON	TITLE:
ANGLE ±5°	DATE :	2.0mm Pitch Double Row Right Angle Ejector Header
X.XXX ±0.10	DRAWN :	Sammo
X.XX ±0.20	CHECKED :	PART NO: BHJXXX12RXXXXXR001
X.X ±0.30	APPROVED :	DRAWING NO:
X. ±0.50		REV: A0 UNIT: mm SCALE: 3:1 SIZE: A4