

4

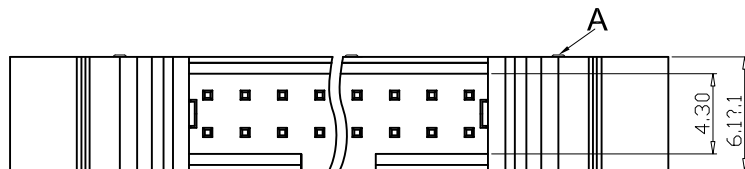
3

2

1

## REVISION DATA

REV	DESCRIPTION	DATE
A0	NEW DRAWING	2015-07-06



## Technical Data

Material:

Contact Material: Brass Au Plating over Ni  
 Insulator Material: Black Polyester UL94V-0  
 Standard: PBT/PA6T+30%G.F

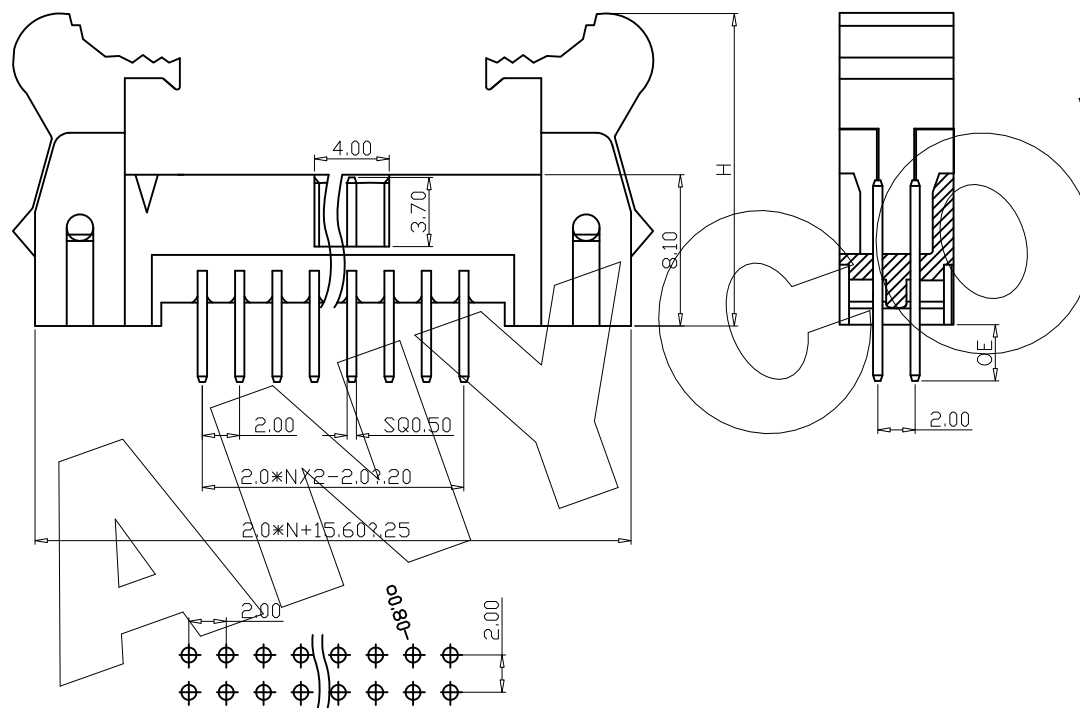
Electrical:

Current rating: 2Amps/contact max.  
 Contact resistance:  $\leq 20\text{m}\Omega/\text{contact}$   
 Insulation resistance:  $\geq 1000\text{M}\Omega$  at  $V=100\text{V}$   
 Withstanding Voltage: 500V AC/minute

Mechanical:

Operating temperatures:  $-40^{\circ}\text{C}$  to  $+105^{\circ}\text{C}$

NO tes;  
 \*A\*20P以下, 20-36P两排, 40-50并3排



P.C.B LAYOUT

BHJ	XXX	12	D	XX	X	X	X	D001
Pin位数 No. of Positions XXX Positions	产品型号 12 单塑双排	产品折弯类型 D 180°	端子电镀 00 无 G0 0.8μAu G1 1μAu G2 2μAu G3 3μAu G4 5μAu G5 8μAu G6 10μAu G7 15μAu G8 30μAu	材质 A PBT C PA-6T	颜色 B 黑色 W 白色 L 蓝色 G 绿色 Y 黄色 R 红色 N 本色	特征流水码 A A Type H8.95 B B Type H5.10	针长/特征流水码 D001 L=10.5	

**ANYCONN®** 东莞市恩康电子有限公司

www.enkcom.com

**DONGGUAN ANYCONN ELECTRONICS CO.,LTD**

TOLERANCE ANGLE $\pm 5^{\circ}$ X.XXX $\pm 0.10$ X.XX $\pm 0.20$ X.X $\pm 0.30$ X. $\pm 0.50$	PROJECTON		TITLE: 2.0mm Pitch Double Row Straight Ejector Header
	DATE :	2015-07-06	PART NO: BHJXXX12DXXXXXD001
	DRAWN :	Songjun	DRAWING NO:
	CHECKED :		REV: A0
	APPROVED :		UNIT: mm
			SCALE: 3:1
			SIZE: A4

4

3

2

1