

4

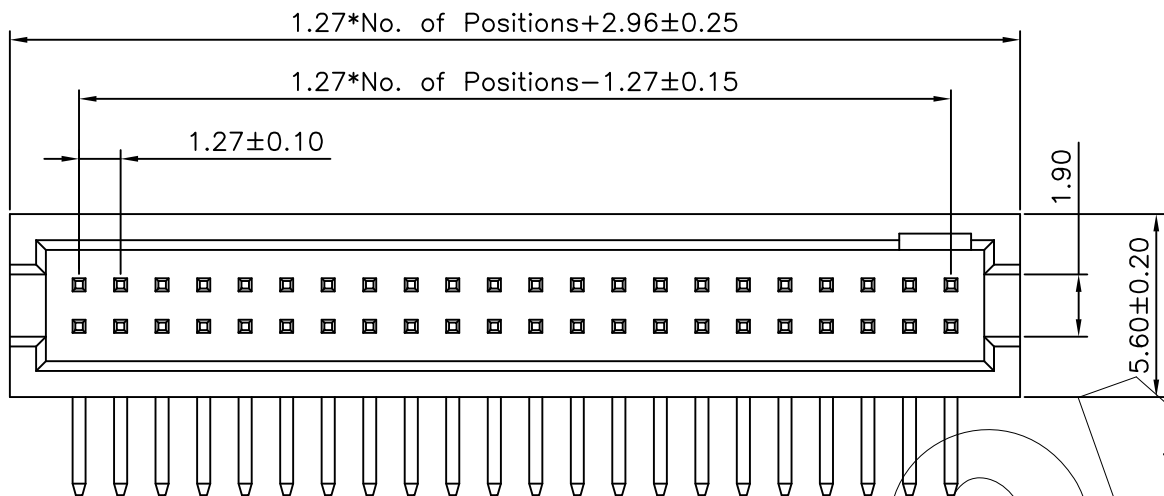
3

2

1

REVISION DATA

REV	DESCRIPTION	DATE
A0	NEW DRAWING	2010-11-08

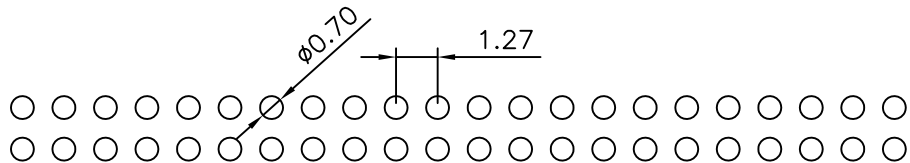
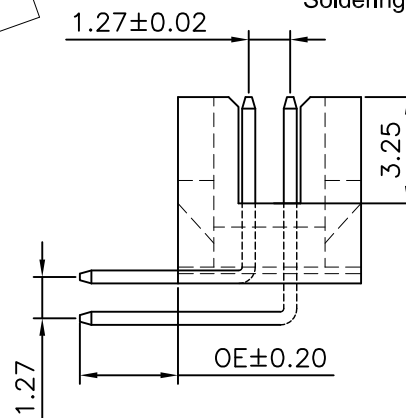
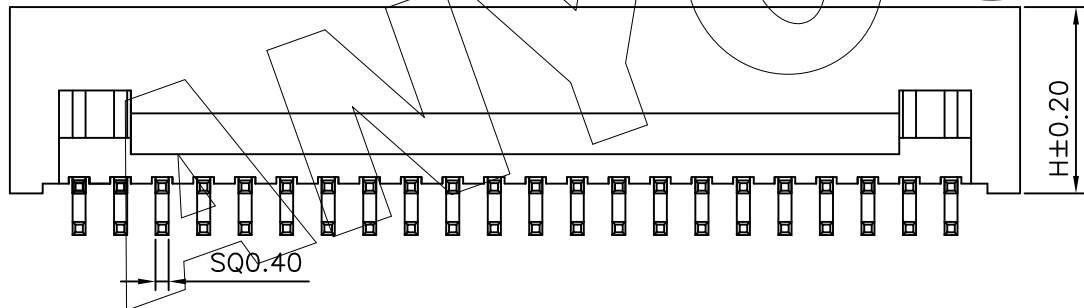


Technical Data

Material:
 Contact Material: Brass
 Insulator Material: Black Polyester UL94V-0
 Standard: PA6T+30%G.F

Electrical:
 Current rating: 1.5Amps/contact max.
 Contact resistance: $\leq 20m\Omega$ /contact
 Insulation resistance: $\geq 1000M\Omega$ at V=100V
 Withstanding Voltage: 450V AC/minute

Mechanical:
 Operating temperatures: Gold Plated: -55°C to +105°C
 Tin plated: -40°C to +105°C
 Soldering temperature: +260°C, 10s max.



PCB LAY OUT

ANYCONN® 东莞市恩康电子有限公司
 www.enkcom.com **DONGGUAN ANYCONN ELECTRONICS CO.,LTD**

TOLERANCE ANGLE ±5° X.XXX ±0.10 X.XX ±0.20 X.X ±0.30 X. ±0.50	PROJECTON		TITLE: 1.27mm Pitch Double Row Angle Box Header L10.5/13.0		
	DATE :	2010-11-08	PART NO: BH1XXX12RXXCBNR001		
	DRAWN :	Jason	DRAWING NO:		
	CHECKED :		REV: A0	UNIT: mm	SCALE: 3:1
APPROVED :					

4

3

2

1