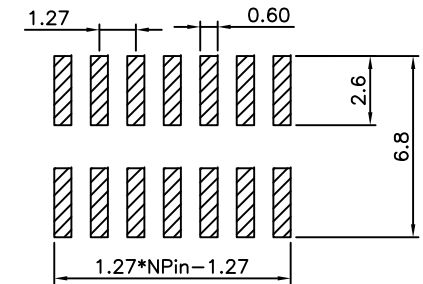


REVISION DATA		
REV	DESCRIPTION	DATE
A0	NEW DRAWING	2012-08-16

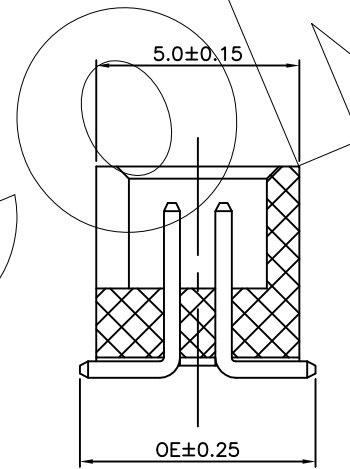
SPECIFICATIONS

Current Rating: 1AMP
 Insulation Resistance: 1000MΩ Min
 Contact Resistance: 30MΩ Max
 Withstanding Voltage: 500V AC/minute
 Operation Temperature: -40° to ±105°
 Contact Material: Brass
 Insulator Material: Polyester (UL 94V-0)
 Standard: PA6T
 Max. Processing Temp:
 240° C for 30-60 seconds
 (260° C for 10 seconds)

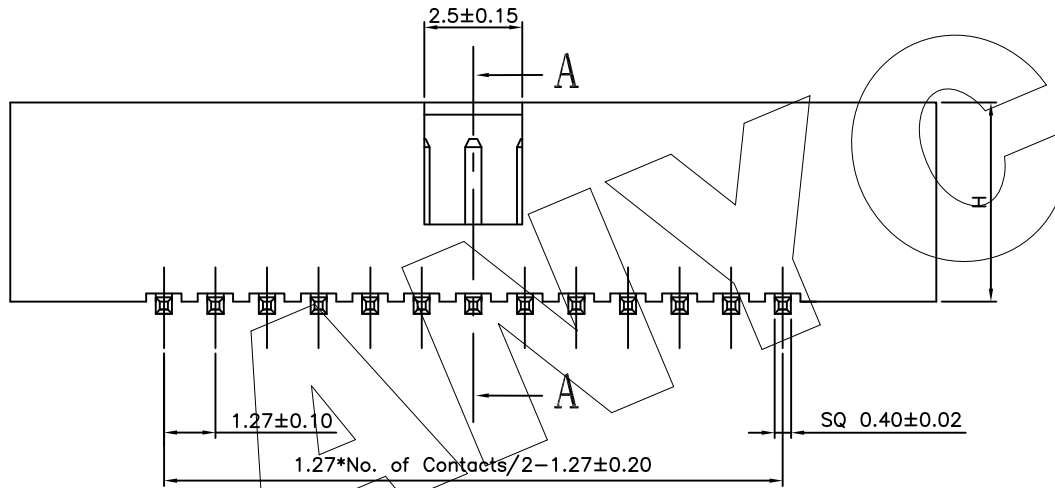
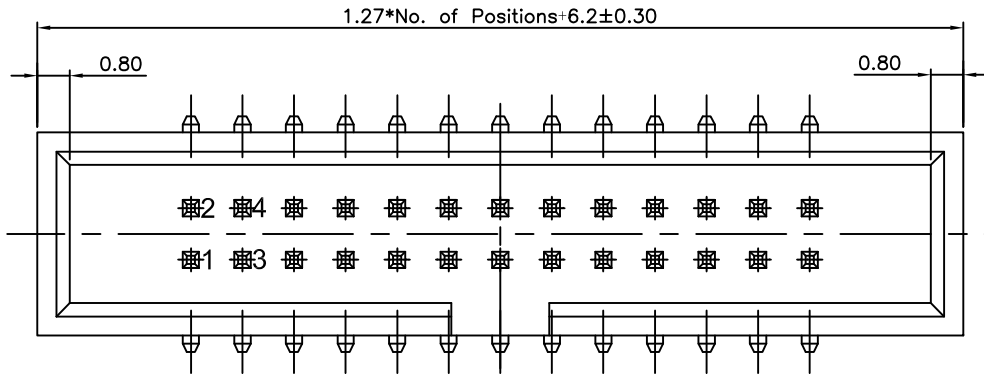
PACKING: TRAY



Recommended P.C.B Hole Layout



A-A SECTION



Ordering Information

BHGXXX12SXXCBNS002

No. of Positions
006 6Poles

Pin Plating
G0 Gold Flash
G1 Gold 1u"
SN Sn120u"
S8 半金锡30U'

ANYCONN® 东莞市恩康电子有限公司				
www.enkcom.com		DONGGUAN ANYCONN ELECTRONICS CO.,LTD		
TOLERANCE	PROJECTON		TITLE: 1.27mm Pitch Double Row SMT Box Header	
ANGLE ±5°	DATE :	2012-08-16	PART NO: BHGXXX12SXXCBNS002	
X.XXX ±0.10	DRAWN :	Sammo	DRAWING NO: ANC-BHGXXX12SXXCBNS002	
X.XX ±0.20	CHECKED :		REV: A0 UNIT: mm SCALE: N:A SIZE: A4	
X.X ±0.30	APPROVED :			
X. ±0.50				