

4

3

2

1

REVISION DATA

REV	DESCRIPTION	DATE
A0	NEW DRAWING	2012-02-22

Technical Data

Material:

Contact Material: Brass

Insulator Material: Black Polyester UL94V-0

Standard: PA6T+30%G.F

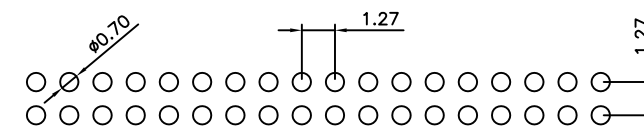
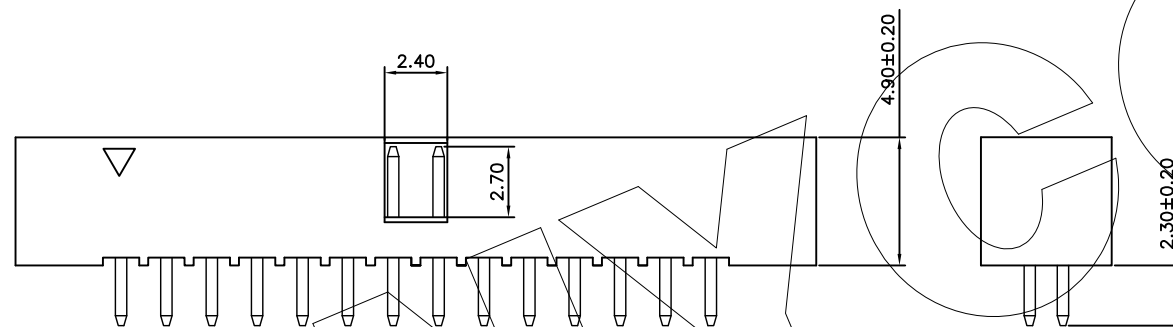
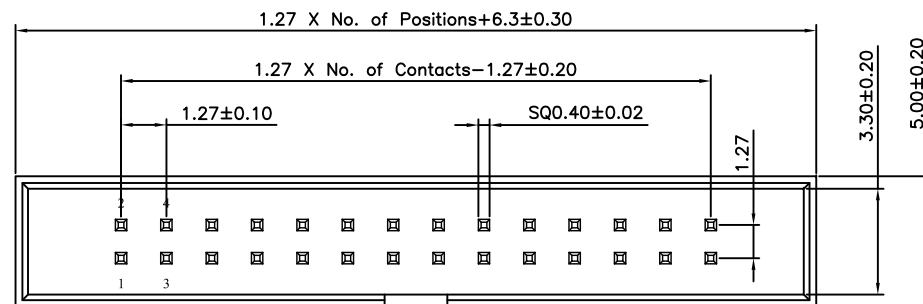
Electrical:

Current rating: 1.0Amps/contact max.

Contact resistance: $\leq 20\text{m}\Omega$ /contactInsulation resistance: $\geq 1000\text{M}\Omega$ at $V=100\text{V}$

Withstanding Voltage: 500V AC/minute

Mechanical:

Operating temperatures: Gold Plated: -55°C to $+105^{\circ}\text{C}$ Tin plated: -40°C to $+105^{\circ}\text{C}$ Soldering temperature: $+260^{\circ}\text{C}$, 10s max.

P.C.B LAYOUT

Ordering Information

BHGXXX12DXX XBND001

No. of Positions
XXX X PolesPin Plating
G0 Gold Flash
G1 Gold 1u"
SN Sn120u"Material
A PBT
C PA-6T

ANYCONN® 东莞市恩康电子有限公司

www.enkcom.com

DONGGUAN ANYCONN ELECTRONICS CO.,LTD

TOLERANCE	PROJECTON		TITLE:
ANGLE $\pm 5^{\circ}$	DATE :	2012-02-22	1.27mm Pitch Double Row Straight Box Header L6.85
X.XXX ± 0.10	DRAWN :	Jason	PART NO: BHGXXX12DXXCBND001
X.XX ± 0.20	CHECKED :		DRAWING NO: ANC-BHGXXX12SXXCBNS001
X.X ± 0.30	APPROVED :		REV: A0 UNIT: mm SCALE: 1:1 SIZE: A4
X. ± 0.50			

4

3

2

1