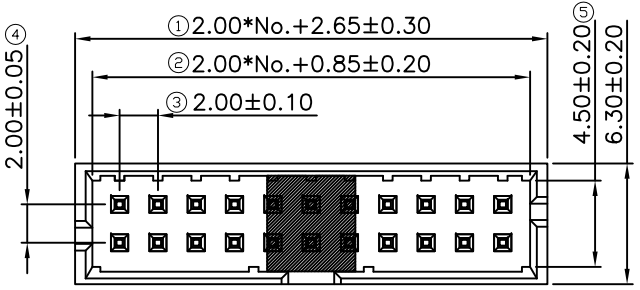


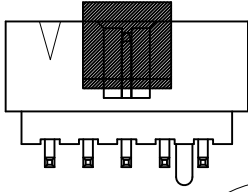
4 3 2 1

DIM'D	NOTE
4.6mm	04-8PIN
5.6mm	10-20PIN

REVISION DATA		
REV	DESCRIPTION	DATE
A0	NEW DRAWING	2013-03-29



08--12PIN

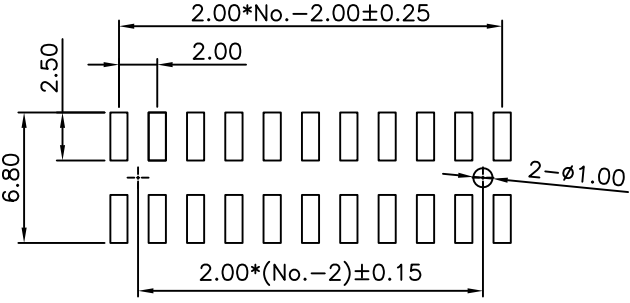
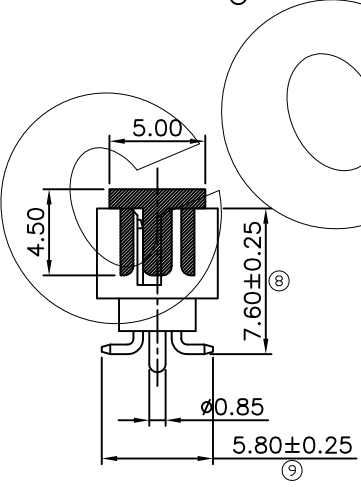
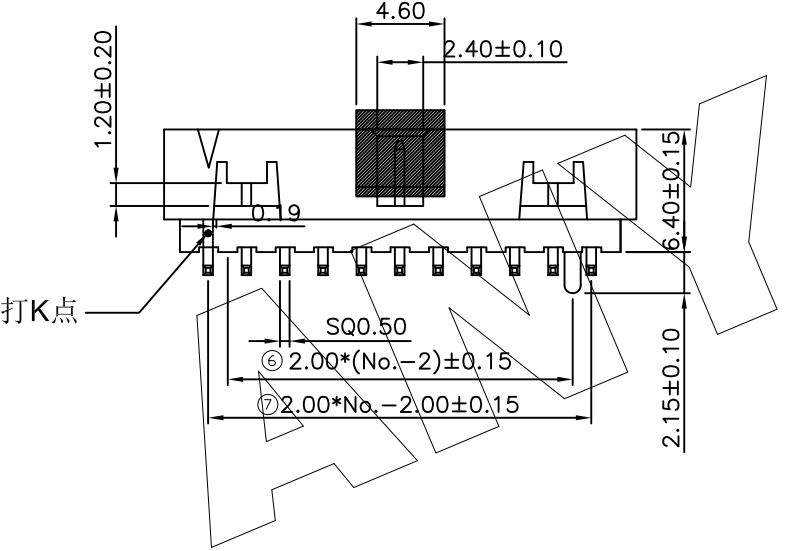


Technical Data

Material:  
 Contact Material: Brass  
 Contact plating: Au or Sn Over 50u" Ni  
 Insulator Material: Black Polyester UL94V-0  
 Standard: NY4T+ 30%GF

Electrical:  
 Current rating: 1.5Amps/contact max.  
 Contact resistance: ≤20mΩ/contact  
 Insulation resistance: ≥1000MΩ at V=100V  
 Withstanding Voltage: 450V AC/minute

Poles: 4~50Pin



RECOMMENDED PCB LAYOUT  
 (ALL TOLERANCE ±0.05mm)

BHD	XXX	12	S	XX	H	B	W	S002
塑胶型号 D PH2.0 H6.4	Pin位数 No. of Positions XXX Positions	产品型号 12 单塑双排	产品折弯类型 S SMT	端子电镀 SN Tin Plated G0 Gold Flash D7 Selective 15u" Au	材质 H PA4T	颜色 B 黑色	特征流水码 W 内柱	L=8.4mm

ANYCONN® 东莞市恩康电子有限公司

www.enkcom.com DONGGUAN ANYCONN ELECTRONICS CO.,LTD

TOLERANCE	PROJECTON		TITLE:
ANGLE ±5°	DATE :	2012-06-20	Box Header Pitch2.0 mm SMT W/Location Post
X.XXX ±0.05	DRAWN :	Sammo	PART NO: BHDXXX12SXXHBWS002
X.XX ±0.10	CHECKED :		DRAWING NO: EP-BHD-004
X.X ±0.15	APPROVED :		REV: A0 UNIT: mm SCALE: 1:1 SIZE: A4
X. ±0.25			

4 3 2 1