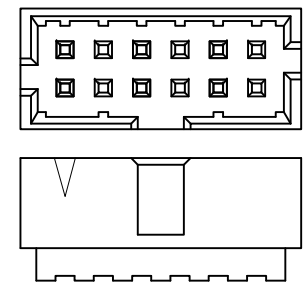


REVISION DATA		
REV	DESCRIPTION	DATE
A0	NEW DRAWING	2015-06-02

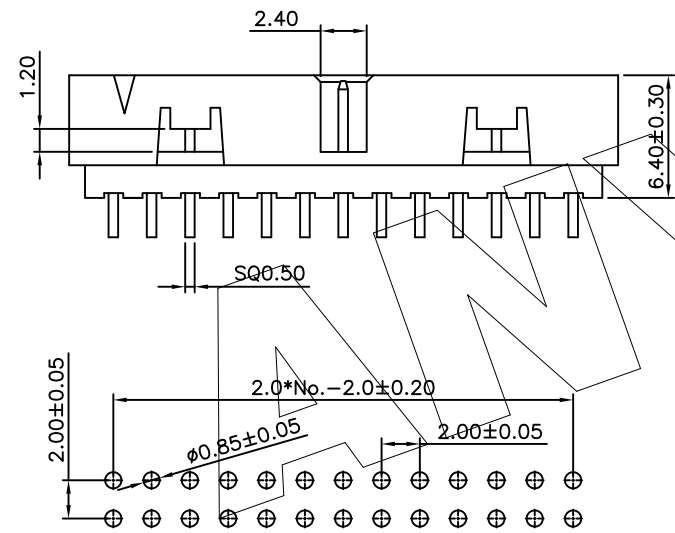
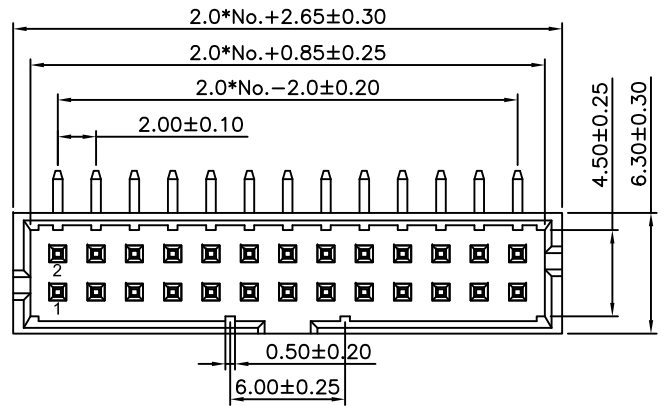
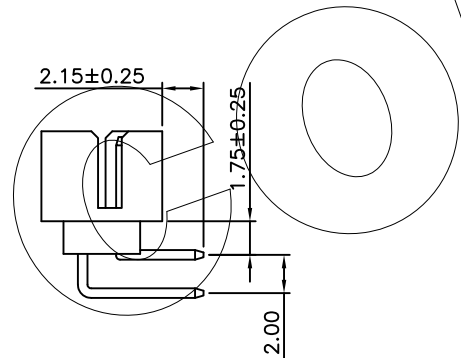
Technical Data

Material:
 Contact Material: Brass
 Contact plating: See the part NO.
 Insulator Material: Black Polyester UL94V-0
 Standard: PA4T+ 30%GF

Electrical:
 Current rating: 1.5Amps/contact max.
 Contact resistance: $\leq 20\text{m}\Omega/\text{contact}$
 Insulation resistance: $\geq 1000\text{M}\Omega$ at $V=100\text{V}$
 Withstanding Voltage: 450V AC/minute



4~12P示意图



P.C.B LAYOUT

BHD	XXX	12	R	XX	H	B	N	R001
Product Descriptions D PH2.0 H6.4	No. of Positions XXX Positions	Product Type 12 Dual Row	Angle options R 90度	Pin Plating G0 Gold Flash G1 1u" Au G7 15u" Au	Insulator Material H PA4T	Color B Black		Pin length(mm)

ANYCONN® 东莞市恩康电子有限公司 www.enkcom.com DONGGUAN ANYCONN ELECTRONICS CO.,LTD			
TOLERANCE	PROJECTON		TITLE: Pitch2.0 H6.4mm Dual Row R/A Box Header
ANGLE ±5°	DATE :	2015-06-02	PART NO: BHDXXX12RXXHBNR001
X.XXX ±0.10	DRAWN :	Songjun	DRAWING NO:
X.XX ±0.20	CHECKED :		REV: A0 UNIT: mm SCALE: 1:1 SIZE: A4
X.X ±0.30	APPROVED :		
X. ±0.50			