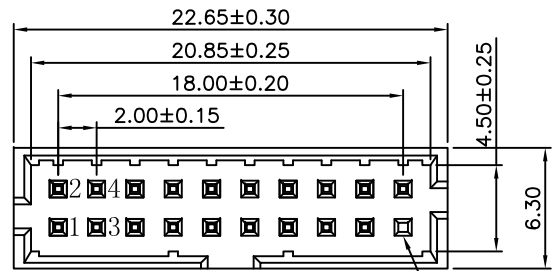
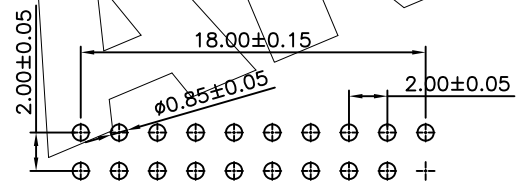
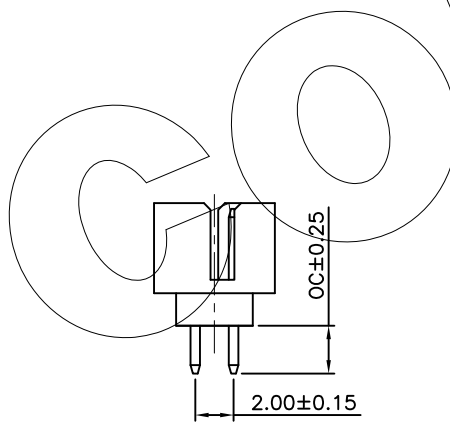
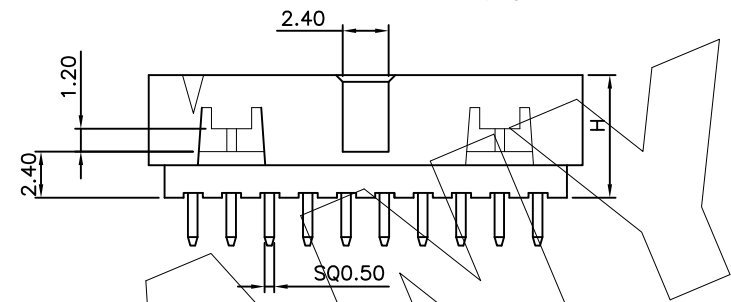


REVISION DATA		
REV	DESCRIPTION	DATE
A0	NEW DRAWING	2012-06-20



Empty No. of 19Pin



P.C.B LAYOUT

Technical Data

Material:
 Contact Material: Brass
 Contact plating: Au or Sn Over 50μ" Ni
 Insulator Material: Black Polyester UL94V-0
 Standard: PA4T+ 30%GF

Electrical:
 Current rating: 1.5Amps/contact max.
 Contact resistance: ≤20mΩ/contact
 Insulation resistance: ≥1000MΩ at V=100V
 Withstanding Voltage: 450V AC/minute

BHD	020	12	D	XX	H	B	N	N001
Product Descriptions	No. of Positions 020 20Positions	Product Type 12 Dual Row	Angle options D 180度	Pin Plating G0 Gold Flash G1 1u" Au G7 15u" Au G8 30u" Au SN Tin Plated	Insulator Material H PA4T	Color B Black		Pin length(mm)

ANYCONN® 东莞市恩康电子有限公司
 www.enkcom.com **DONGGUAN ANYCONN ELECTRONICS CO.,LTD**

TOLERANCE	PROJECTON		TITLE: Pitch2.0 H6.4mm Dual Row Straight Box Header
ANGLE ±5°	DATE :	2012-06-20	PART NO: BHD02012DXXHBNN001
X.XXX ±0.10	DRAWN :	Sammo	DRAWING NO:
X.XX ±0.20	CHECKED :		REV: A0 UNIT: mm SCALE: 1:1 SIZE: A4
X.X ±0.30	APPROVED :		
X. ±0.50			