

4

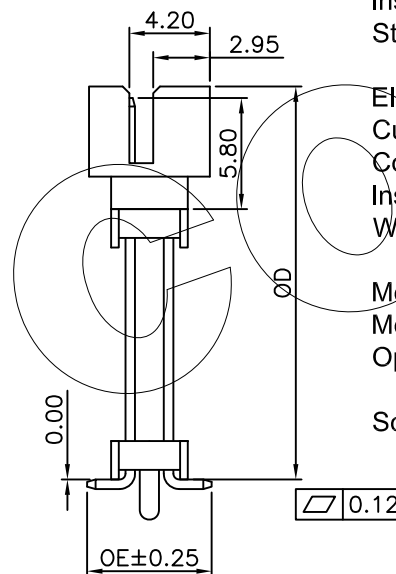
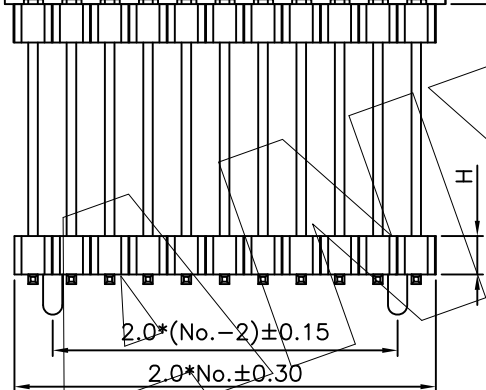
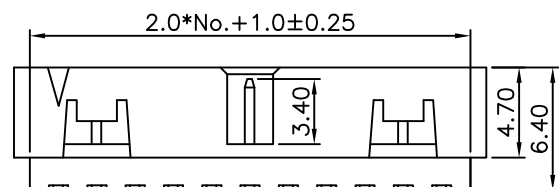
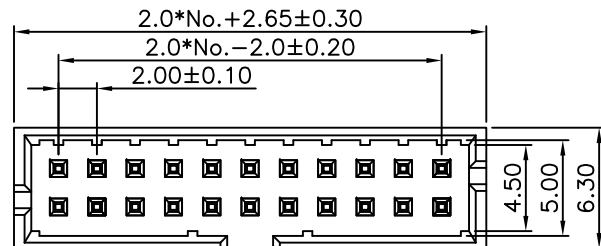
3

2

1

REVISION DATA

REV	DESCRIPTION	DATE
A0	NEW DRAWING	2011-07-18



Technical Data

Material:

Contact Material: Brass

Contact plating: Au or Sn Over 50μ" Ni

Insulator Material: Black Polyester UL94V-0

Standard: LCP+ 30%GF

Electrical:

Current rating: 1.5Amps/contact max.

Contact resistance: ≤20mΩ/contact

Insulation resistance: ≥1000MΩ at V=100V

Withstanding Voltage: 450V AC/minute

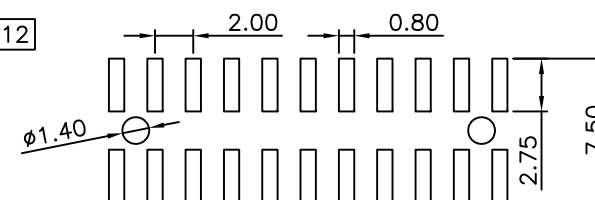
Mechanical:

Mechanical life cycle: min.200

Operating temperatures: Gold Plated: -55°C to +105°C

Tin plated: -40°C to +105°C

Soldering temperature: +260°C max(PA6T).



P.C.B LAYOUT

BHD	XXX	22	S	XX	D	B	W	S002
塑胶型号 D PH2.0 H6.4	Pin位数 No. of Positions XXX Positions	产品型号 22 双塑双排	产品折弯类型 S SMT	端子电镀 00 无 G0 0.8μ" Au	材质 D LCP	颜色 B 黑色	特征流水码 W 内柱	L=22.15mm

ANYCONN® 东莞市恩康电子有限公司

www.enkcom.com

DONGGUAN ANYCONN ELECTRONICS CO.,LTD

TOLERANCE	PROJECTON		TITLE:
ANGLE ±5°	DATE :	2011-07-18	Pitch2.0 H2.0mm Dual Row SMT Pin Header
X.XXX ±0.10	DRAWN :	JASON	PART NO: BHDXXX22SXXDBWS002
X.XX ±0.20	CHECKED :		DRAWING NO:
X.X ±0.30	APPROVED :		REV: A0 UNIT: mm SCALE: 1:1 SIZE: A4
X. ±0.50			

4

3

2

1