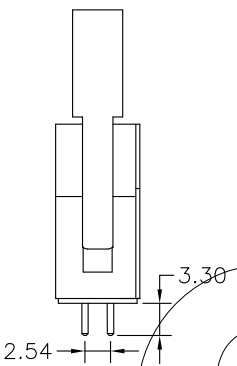
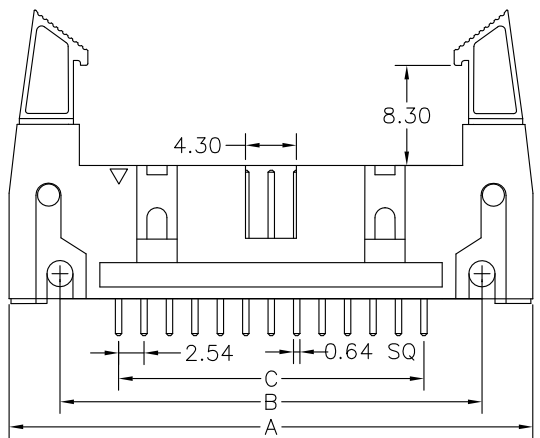


REVISION DATA		
REV	DESCRIPTION	DATE
A0	NEW DRAWING	2015-10-19

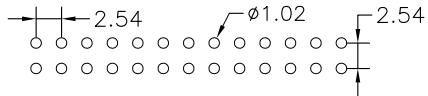
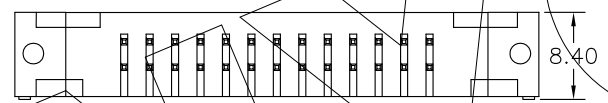


**Technical Data**

Material:  
 Contact Material: Brass  
 Insulator Material: Black Polyester UL94V-0  
 Standard: PBT+30%G.F

Electrical:  
 Current rating: 3Amps/contact max.  
 Contact resistance:  $\leq 20m\Omega$ /contact  
 Insulation resistance:  $\geq 1000M\Omega$  at V=100V  
 Withstanding Voltage: 550V AC/minute

Mechanical:  
 Operating temperatures: Gold Plated: -55°C to +105°C  
 Tin plated: -40°C to +105°C  
 Soldering temperature: +220°C, 10s max.



PCB LAYOUT

No. of Contacts	A	B	C
10	32.00	21.84	10.16
14	37.08	26.92	15.24
16	39.62	29.46	17.78
20	44.70	34.54	22.86
26	52.32	42.16	30.48
30	57.40	47.24	35.56
34	62.48	52.32	40.64
40	70.10	59.94	48.26
50	82.80	72.64	60.96
60	95.50	85.34	73.66
64	100.58	90.42	78.74

**ANYCONN® 东莞市恩康电子有限公司**  
 www.enkcom.com **DONGGUAN ANYCONN ELECTRONICS CO.,LTD**

TOLERANCE	PROJECTON		TITLE: 2.54mm Pitch Double Row Straight Ejector Header
ANGLE $\pm 5^\circ$	DATE :	2015-10-19	PART NO: BHBXXX12DXXCBND004
X.XXX $\pm 0.10$	DRAWN :	Songjun	DRAWING NO:
X.XX $\pm 0.20$	CHECKED :		REV: A0 UNIT: mm SCALE: 3:1 SIZE: A4
X.X $\pm 0.30$	APPROVED :		
X. $\pm 0.50$			