

4

3

2

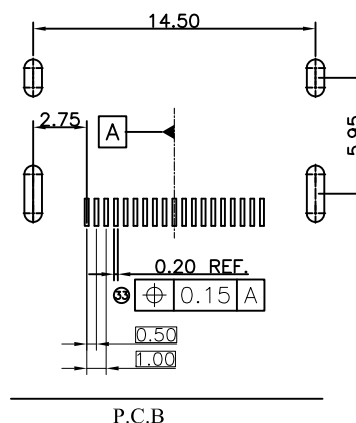
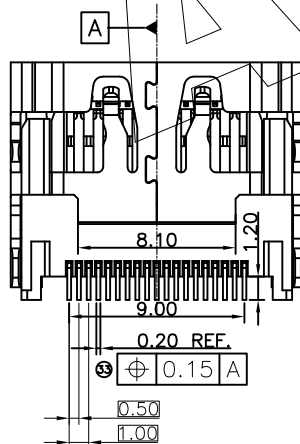
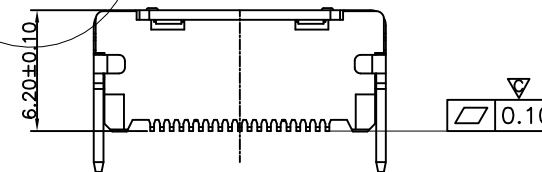
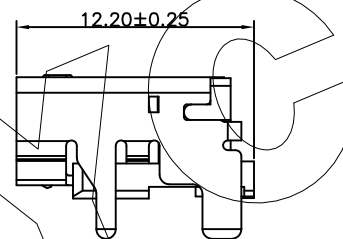
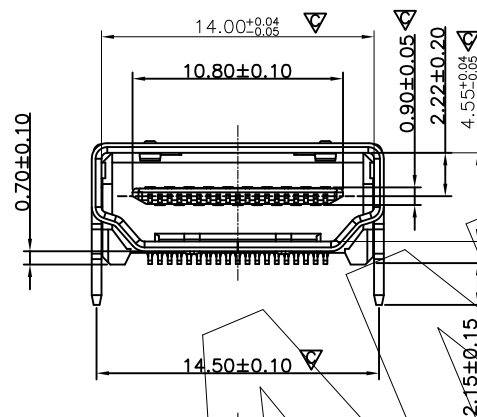
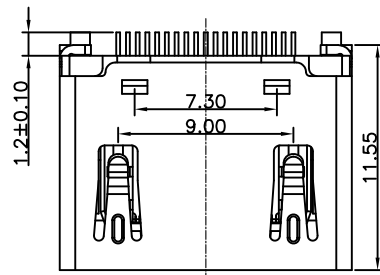
1

REVISION DATA

REV	DESCRIPTION	DATE
A0	NEW DRAWING	2016-5-26

NOTES:

- MATERIALS:
HOUSING: THERM-PLASTIC+30%GLASS FILLED, BLACK, UL94V-0
CONTACTS: COPPER ALLOY
SHELL: COPPER ALLOY
- PLATING:
SHELL: NICKEL PLATING OVERALL.
CONTACT: GOLD PLATING OVER NICKEL IN CONTACT, NICKEL PLATING OVERALL
- RoHS COMPLIANT
- DIMENSIONS MARKED M SHOULD BE MEASURED BY FAI.
- DIMENSIONS MARKED ∇ MUST BE CONTROLLED IN QIP.



P.C.B

ITEM	PARIS NAME	QTY	MATERIAL	FINISH/REMARK
1	HOUSING	1	HIGH TEMPERATURE PLASTIC, UL 94 V-0	(Black)
2	SHELL	1	SUS301	
3	CONTACT	5	Phosphor Bronze	1u" Gold
4	LATCH	1	SUS301	NON PLATING
5	BACK COVER	1	NYLON	(Black)

ANYCONN® 东莞市恩康电子有限公司

www.enkcom.com **DONGGUAN ANYCONN ELECTRONICS CO.,LTD**

TOLERANCE	PROJECTON	TITLE:
ANGLE ±5°	DATE: 2016-5-26	HDMI SMT母座
X.XXX ±0.10	DRAWN: ZHANG	PART NO:
X.XX ±0.20	CHECKED:	DRAWING NO:
X.X ±0.30	APPROVED:	REV: A0
X. ±0.50		UNIT: mm
		SCALE: 3:1
		SIZE: A4