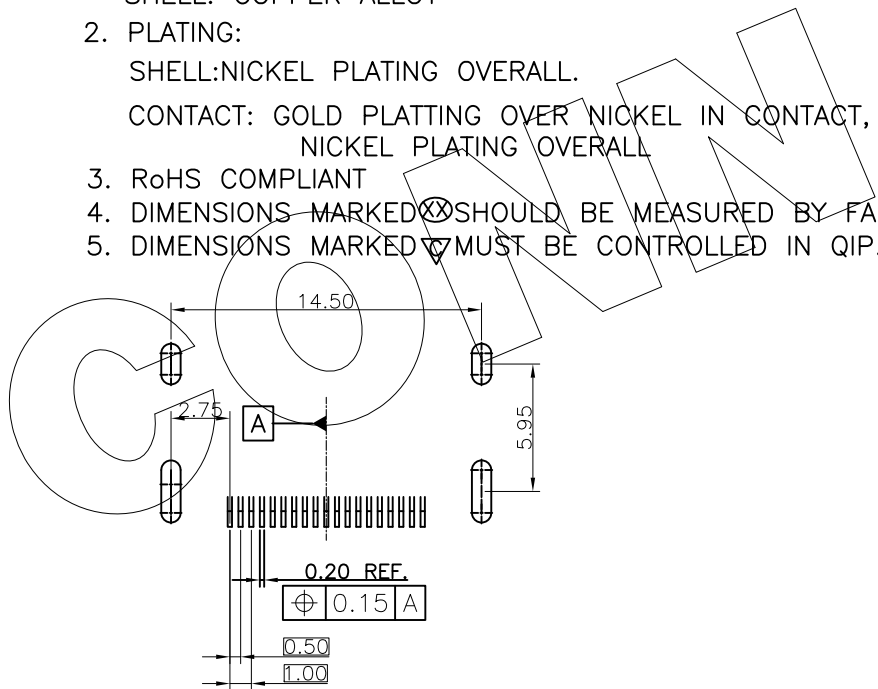


NOTES:

- MATERIALS:
HOUSING: THERM-PLASTIC+30%GLASS FILLED, BLACK, UL94V-0
CONTACTS: COPPER ALLOY
SHELL: COPPER ALLOY
- PLATING:
SHELL: NICKEL PLATING OVERALL.
CONTACT: GOLD PLATING OVER NICKEL IN CONTACT, NICKEL PLATING OVERALL
- RoHS COMPLIANT
- DIMENSIONS MARKED ϕ SHOULD BE MEASURED BY FAI.
- DIMENSIONS MARKED ∇ MUST BE CONTROLLED IN QIP.



REVISION DATA		
REV	DESCRIPTION	DATE
A0	NEW DRAWING	2016-5-26

ITEM	PARIS NAME	QTY	MATERIAL	FINISH/REMARK
1	HOUSING	1	HIGH TEMPERATURE PLASTIC, UL 94 V-0	(Black)
2	SHELL	1	SUS301	
3	CONTACT	5	Phosphor Bronze	1u" Gold
4	LATCH	1	SUS301	NON PLATING
5	BACK COVER	1	NYLON	(Black)

ANYCONN® 东莞市恩康电子有限公司
www.enkcom.com **DONGGUAN ANYCONN ELECTRONICS CO.,LTD**

TOLERANCE ANGLE $\pm 5^\circ$ X.XXX ± 0.10 X.XX ± 0.20 X.X ± 0.30 X. ± 0.50	PROJECTON		TITLE: HDMI 带耳插板贴片款
	DATE:	2016-5-26	PART NO:
	DRAWN:	ZHANG	DRAWING NO:
	CHECKED:		REV: A0
APPROVED:		UNIT: mm	SCALE: 3:1
			SIZE: A4