

4

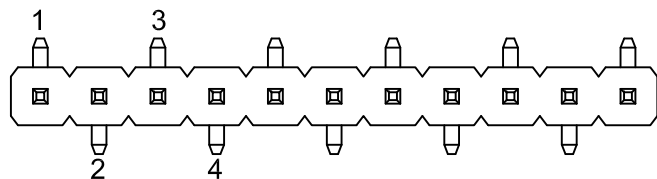
3

2

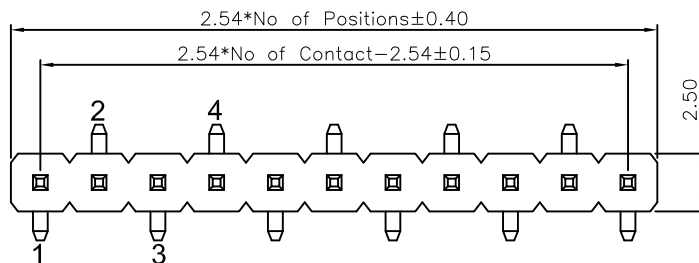
1

REVISION DATA

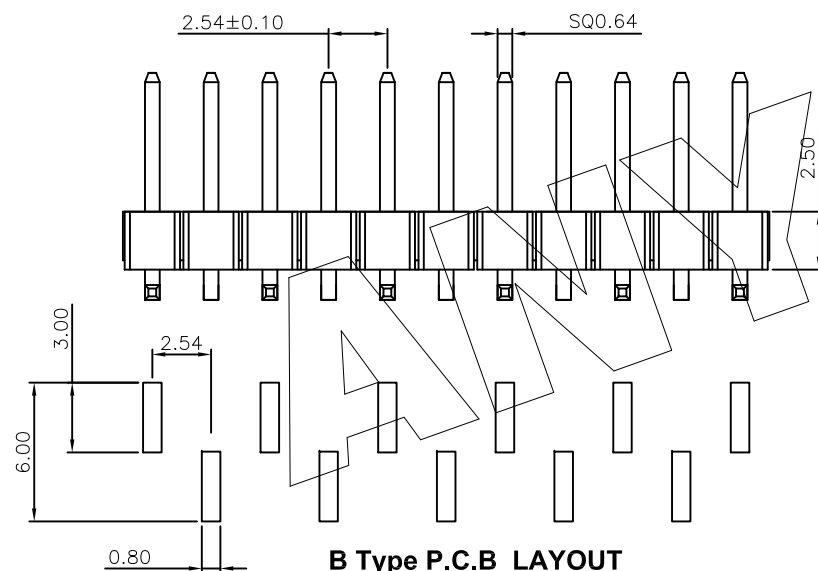
REV	DESCRIPTION	DATE
A0	NEW DRAWING	2011-08-31



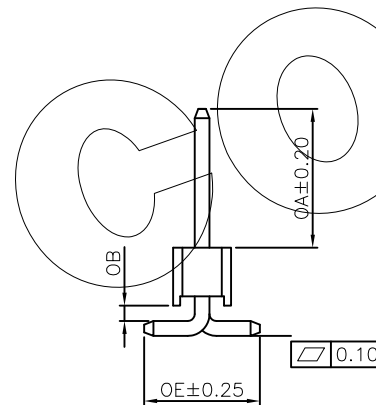
B Type



A Type



B Type P.C.B LAYOUT



Technical Data

Material:

Contact Material: Brass

Contact plating: Au or Sn Over 50μ" Ni

Insulator Material: Black Polyester UL94V-0

Standard: PA6T or PBT

Electrical:

Current rating: 3.0Amps/contact max.

Contact resistance: ≤20mΩ/contact

Insulation resistance: ≥1000MΩ at V=100V

Withstanding Voltage: 1000V AC/minute

Mechanical:

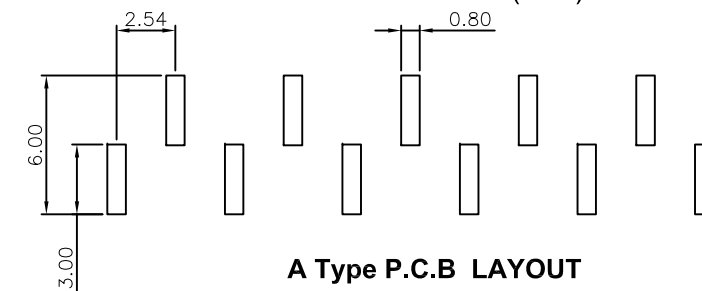
Mechanical life cycle: min.200

Operating temperatures: Gold Plated: -55°C to +105°C

Tin plated: -40°C to +105°C

Soldering temperature: +260°C max(PA6T).

+220°C max(PBT).



A Type P.C.B LAYOUT

P120	11	XXX	XX	X	X	X	N	SXXX
Product Descriptions P120 H=2.5	Product Type 11 Single row	No. of Positions XXX Poles	Pin Plating G0 Gold Flash SN Tin Plated	Angle options A A Type B B Type	Insulator Material A PBT B PA66 C PA6T D LCP	Color B Black W White L Blue G Green Y Yellow R Red N Natural		Pin length(mm) L=11.70mm

ANYCONN® 东莞市恩康电子有限公司

www.enkcom.com

DONGGUAN ANYCONN ELECTRONICS CO.,LTD

TOLERANCE	PROJECTON		TITLE:
ANGLE ±5°	DATE :	2011-08-31	2.54mm Pin Header Single Row SMT Length 11.70mm
X.XXX ±0.10	DRAWN :	Lijunhua	PART NO: P12011XXXXXXXXXXNSXXX
X.XX ±0.20	CHECKED :		DRAWING NO:
X.X ±0.30	APPROVED :		REV: A0 UNIT: mm SCALE: 1:1 SIZE: A4
X. ±0.50			

4

3

2

1