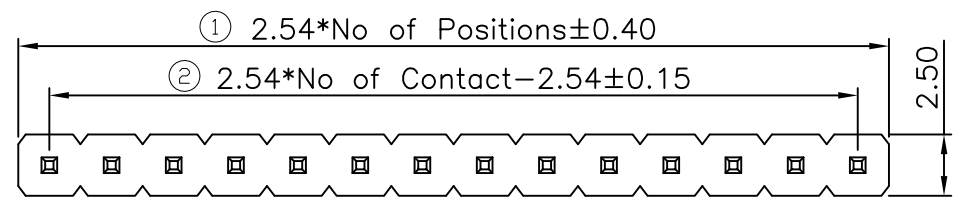


REVISION DATA		
REV	DESCRIPTION	DATE
A0	NEW DRAWING	2011-04-15

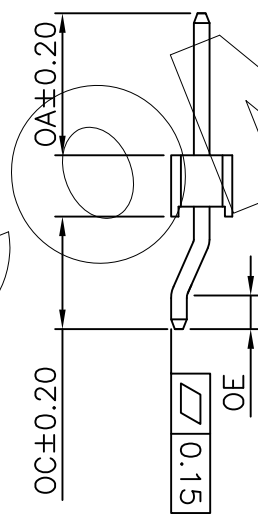
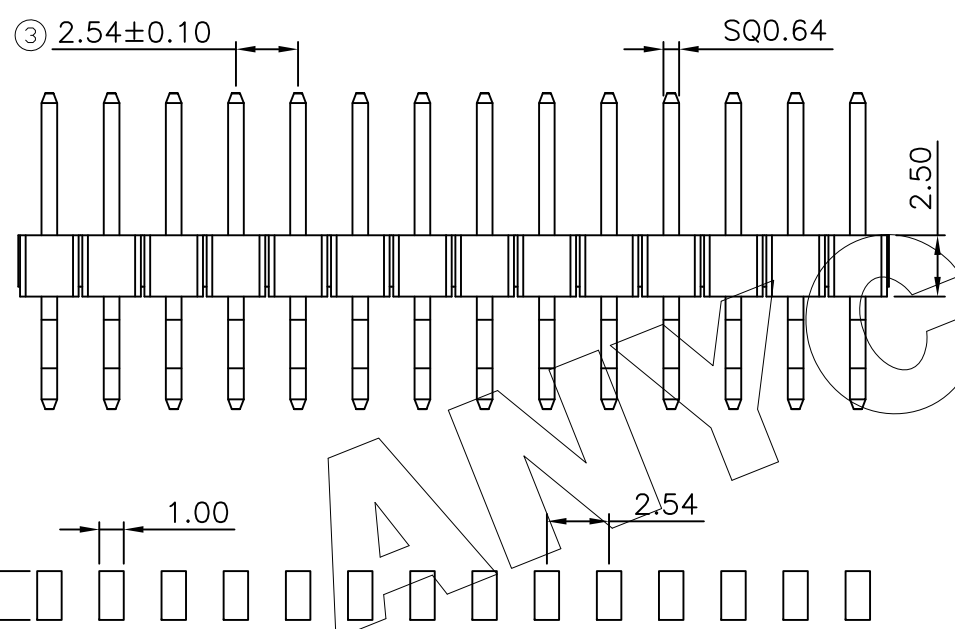


Technical Data

Material:
 Contact Material: Brass
 Contact plating: Au Plated
 Insulator Material: Black Polyester UL94V-0
 Standard: PA6T Or PBT+30%G.F

Electrical:
 Current rating: 3.0Amps/contact max.
 Contact resistance: $\leq 20\text{m}\Omega/\text{contact}$
 Insulation resistance: $\geq 1000\text{M}\Omega$ at $V=100\text{V}$
 Withstanding Voltage: 1000V AC/minute

Mechanical:
 Mechanical life cycle: min.200
 Operating temperatures: Gold Plated: -55°C to $+105^\circ\text{C}$
 Tin plated: -40°C to $+105^\circ\text{C}$
 Soldering temperature: $+220^\circ\text{C}$ max(PBT)
 $+260^\circ\text{C}$ max(PA6T)



P.C.B LAYOUT

P120	11	XXX	XX	H	X	X	N	H007
Product Descriptions P120 H=2.5	Product Type 11 Single row	No. of Positions XXX Poles	Pin Plating G0 Gold Flash	Angle options H 卧式SMT	Insulator Material A PBT B PA66 C PA6T D LCP	Color B Black W White L Blue G Green Y Yellow R Red N Natural		Pin length(mm) L=13.0mm

ANYCONN® 东莞市恩康电子有限公司
 www.enkcom.com **DONGGUAN ANYCONN ELECTRONICS CO.,LTD**

TOLERANCE	PROJECTON		TITLE:
ANGLE $\pm 5^\circ$	DATE :	2011-04-15	2.54mm Pin Header Single Row Length 13.0mm
X.XXX ± 0.10	DRAWN :	hejg	PART NO: P12011XXXXXHXNH007
X.XX ± 0.20	CHECKED :		DRAWING NO: ANC-P12011XXXXXHXNH007
X.X ± 0.30	APPROVED :		REV: A0 UNIT: mm SCALE: 1:1 SIZE: A4
X. ± 0.50			