

REVISION DATA		
REV	DESCRIPTION	DATE
A0	NEW DRAWING	2010-08-03

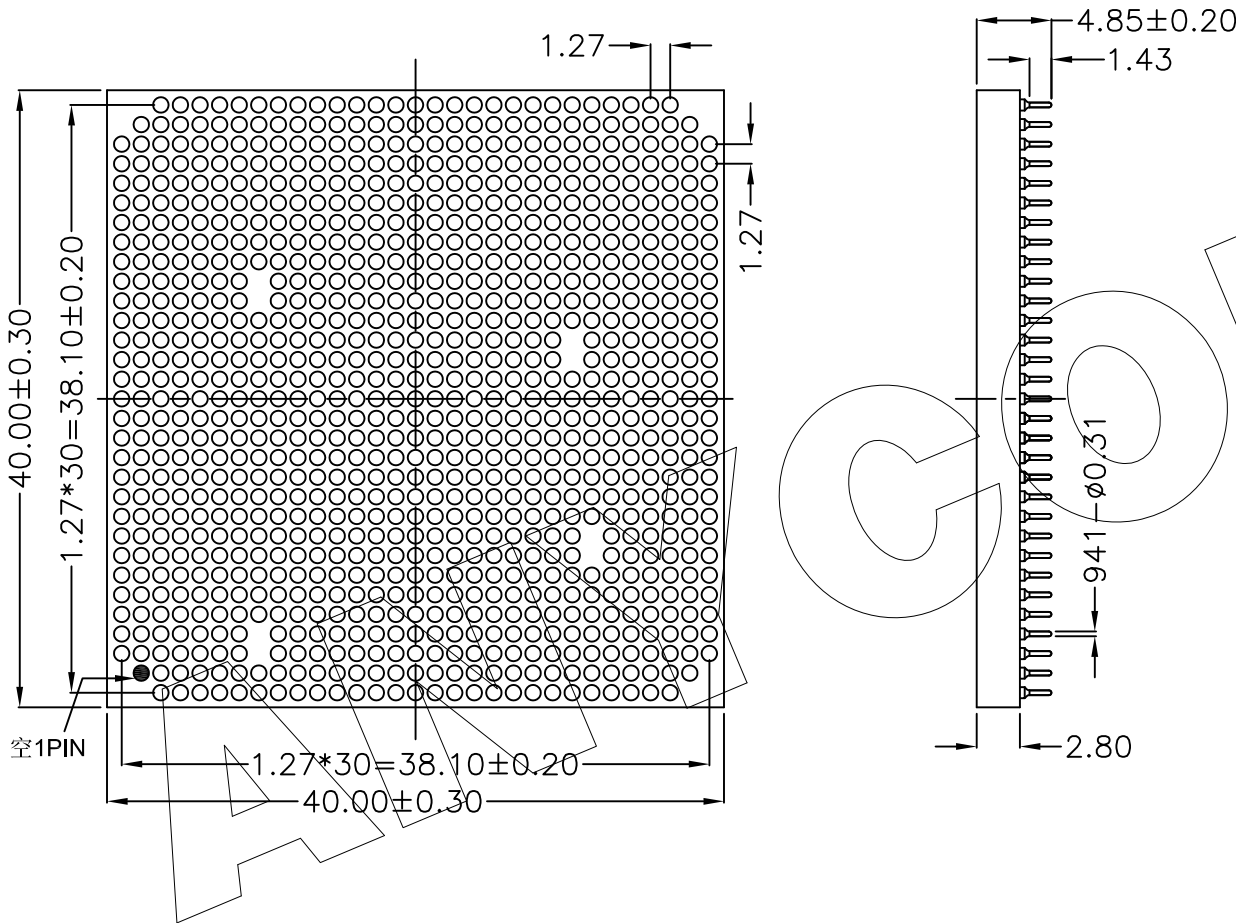
Technical Data

Material
 Pin :Brass, Screw Machined
 Outer sleeve :CuZn38Pb2
 Inner Clip :Beryllium Copper, heat treated
 (contact 6-finger)
 Plating(Sleeve) :3μ" Gold Plated over Nickel
 Plating(Clip) :3μ" Gold Plated over Nickel
 Insulator Body :FR-4 or PPS

Electrical
 Current rating :3Amps/contact max.
 Contact resistance: ≤4mΩ/contact
 Insulation resistance: ≥1KMΩ at V=100V
 Operating Voltage: 60VAC/DC

Mechanical
 Average insertion force with steel pin
 of Ø0.31mm/.012": ≤60g
 Average withdrawal force with steel pin
 of Ø0.31mm/.012": ≤20g
 Mechanical life cycle:200 time min.
 Operating temperature(continuous): -55°C + 125°C
 Soldering temperature: +260°C, 10s max.

Features
 Low insertion force socket,6fingers contacts
 Closed end construction for 100% anti-wicking of solder.



PGA	941	1	X	X	XX	0485A	X	A	00
XXX Positions	1 1.27mm 2 2.54mm 3 1.27*2.54mm 4 1.0mm S Special	1 FR-4 2 PPS S Special	0 No 1 Tin120μ" 锡 2 Tin200μ" 锡 3 Gold0.4μ" 金 4 Gold0.8μ" 金 5 Gold1μ" 金 6 Gold1.5μ" 金 7 Gold2μ" 金 8 Gold3μ" 金 9 Gold5μ" 金 A Gold8μ" 金 B Gold10μ" 金 C Gold15μ" 金 D Gold30μ" 金 E Ag plated F Nickel 80μ"	00 No 1 Tin120μ" 锡 2 Tin200μ" 锡 3 Gold0.4μ" 金 4 Gold0.8μ" 金 5 Gold1μ" 金 6 Gold1.5μ" 金 7 Gold2μ" 金 8 Gold3μ" 金 9 Gold5μ" 金 A Gold8μ" 金 B Gold10μ" 金 C Gold15μ" 金 D Gold30μ" 金 E Ag plated F Nickel 80μ"	0485A 4.85mm 0515A 5.15mm 0550A 5.50mm 0740A 7.40mm S Special	1 Black黑色 2 Brown褐色 3 White白色 4 Yellow黄色 S Special	Series A/B/C PGA940 A是窄 B是宽 C是有槽 PGA989 10是M1 D加长型无铁槽	Series 区分空PIN等不同产品特征。(01-99) 没有特殊特征的产品用00代码 PGA940 00是M2 10是M1 有短路特征后一码变动	

ANYCONN® 东莞市恩康电子有限公司
 www.enkcom.com **DONGGUAN ANYCONN ELECTRONICS CO.,LTD**

TOLERANCE	PROJECTON		TITLE: 1.27mmPitch PGA Socket 941Pins Pin Length 4.85mm
ANGLE ±5°	DATE : 2010-08-03		PART NO: PGA941XXXX0485AXA00
X.XXX ±0.10	DRAWN : JINHONG	CHECKED :	DRAWING NO: EP-PGA-018
X.XX ±0.20	CHECKED :	APPROVED :	REV: A0 UNIT: mm SCALE: 3:1 SIZE: A4
X.X ±0.30	APPROVED :		
X. ±0.50			