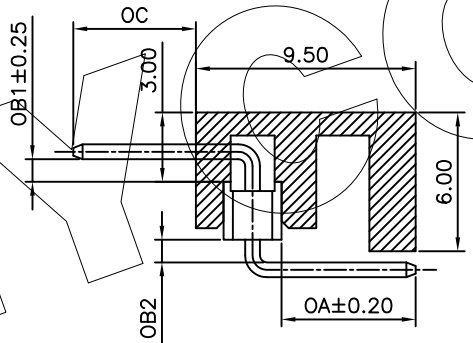


**P.C.B LAYOUT**



**REVISION DATA**

REV	DESCRIPTION	DATE
A0	NEW DRAWING	2012-05-24

**Technical Data**

Material:  
 Contact Material: Brass  
 Contact plating: Au or Sn Over 50µ" Ni  
 Insulator Material: Black Polyester UL94V-0  
 Standard: PA6T+30%G.F

Electrical:  
 Current rating: 3.0Amps/contact max.  
 Contact resistance: ≤20mΩ/contact  
 Insulation resistance: ≥1000MΩ at V=100V  
 Withstanding Voltage: 1000V AC/minute

Mechanical:  
 Mechanical life cycle: min.200  
 Operating temperatures: Gold Plated: -55°C to +105°C  
 Tin plated: -40°C to +105°C  
 Soldering temperature: +260°C, 10s max.

<b>P120</b>	<b>11</b>	<b>004</b>	<b>XX</b>	<b>Z</b>	<b>X</b>	<b>X</b>	<b>N</b>	<b>Z001</b>
Product Descriptions P120 H=2.5	Product Type 11 Single row	No. of Positions 004 4Poles	Pin Plating G0 Gold Flash G1 1u" Au SN Tin plated	Angle options Z Z Type	Insulator Material A PBT B PA66 C PA6T D LCP	Color B Black W White L Blue G Green Y Yellow R Red N Natural		Pin length(mm) L=19.0mm

**ANYCONN®** 东莞市恩康电子有限公司  
 www.enkcom.com **DONGGUAN ANYCONN ELECTRONICS CO.,LTD**

TOLERANCE	PROJECTON		TITLE: 2.54mm Pin Header Single Row Z Type Length 19.0 mm
ANGLE ±5°	DATE :	2012-05-24	PART NO: P12011004XXZXXNZ001
X.XXX ±0.10	DRAWN :	Sammo	DRAWING NO: EP-P12011-450
X.XX ±0.20	CHECKED :		REV: A0 UNIT: mm SCALE: 1:1 SIZE: A4
X.X ±0.30	APPROVED :		
X. ±0.50			