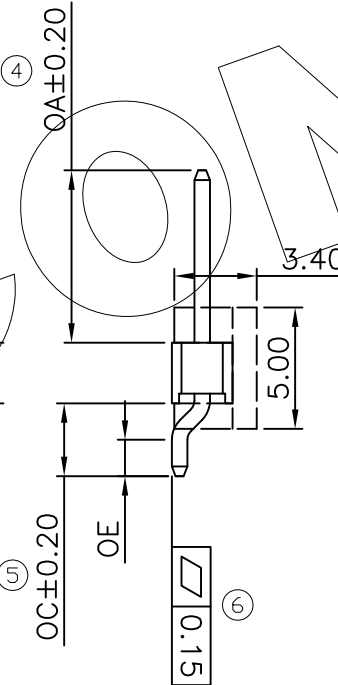
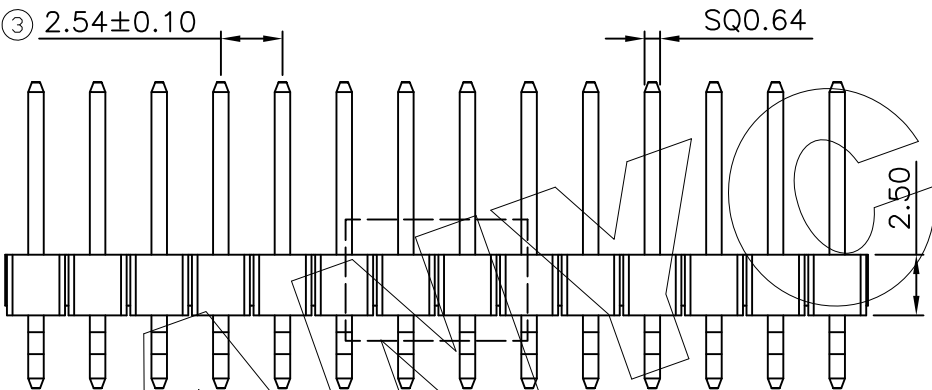
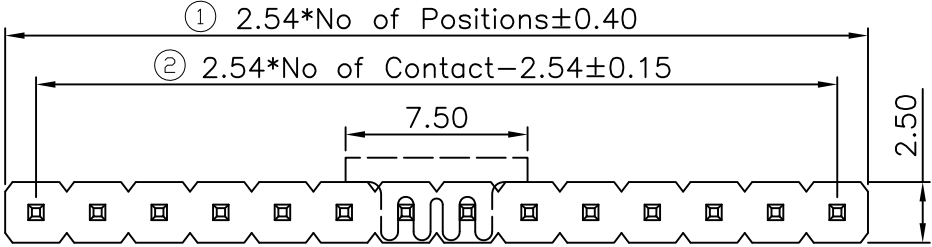


REVISION DATA		
REV	DESCRIPTION	DATE
A0	NEW DRAWING	2012-10-26

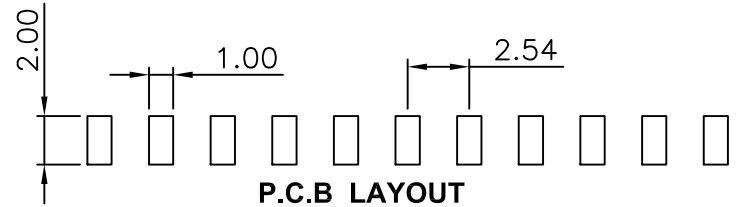


Technical Data

Material:
 Contact Material: Brass
 Contact plating: Au Plated
 Insulator Material: Black Polyester UL94V-0
 Standard: PA6T Or LCP+30%G.F

Electrical:
 Current rating: 3.0Amps/contact max.
 Contact resistance: ≤20mΩ/contact
 Insulation resistance: ≥1000MΩ at V=100V
 Withstanding Voltage: 1000V AC/minute

Mechanical:
 Mechanical life cycle: min.200
 Operating temperatures: Gold Plated: -55°C to +105°C
 Tin plated: -40°C to +105°C
 Soldering temperature: +260°C max



P120	11	XXX	XX	H	X	X	N	HXXX
Product Descriptions P120 H=2.5	Product Type 11 Single row	No. of Positions XXX Poles	Pin Plating G0 Gold Flash	Angle options H 卧式SMT	Insulator Material A PBT B PA66 C PA6T D LCP	Color B Black W White L Blue G Green Y Yellow R Red N Natural		Pin length(mm) L=12.7mm

ANYCONN® 东莞市恩康电子有限公司
 www.enkcom.com **DONGGUAN ANYCONN ELECTRONICS CO.,LTD**

TOLERANCE	PROJECTON		TITLE: 2.54mm Pin Header Single Row Length 12.70mm
ANGLE ±5°	DATE :	2012-10-26	PART NO: P12011XXXXXXHXXNHXXX
X.XXX ±0.10	DRAWN :	kanggc	
X.XX ±0.20	CHECKED :		DRAWING NO:
X.X ±0.30	APPROVED :		REV: A0 UNIT: mm SCALE: 1:1 SIZE: A4
X. ±0.50			