

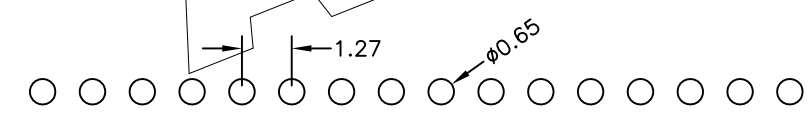
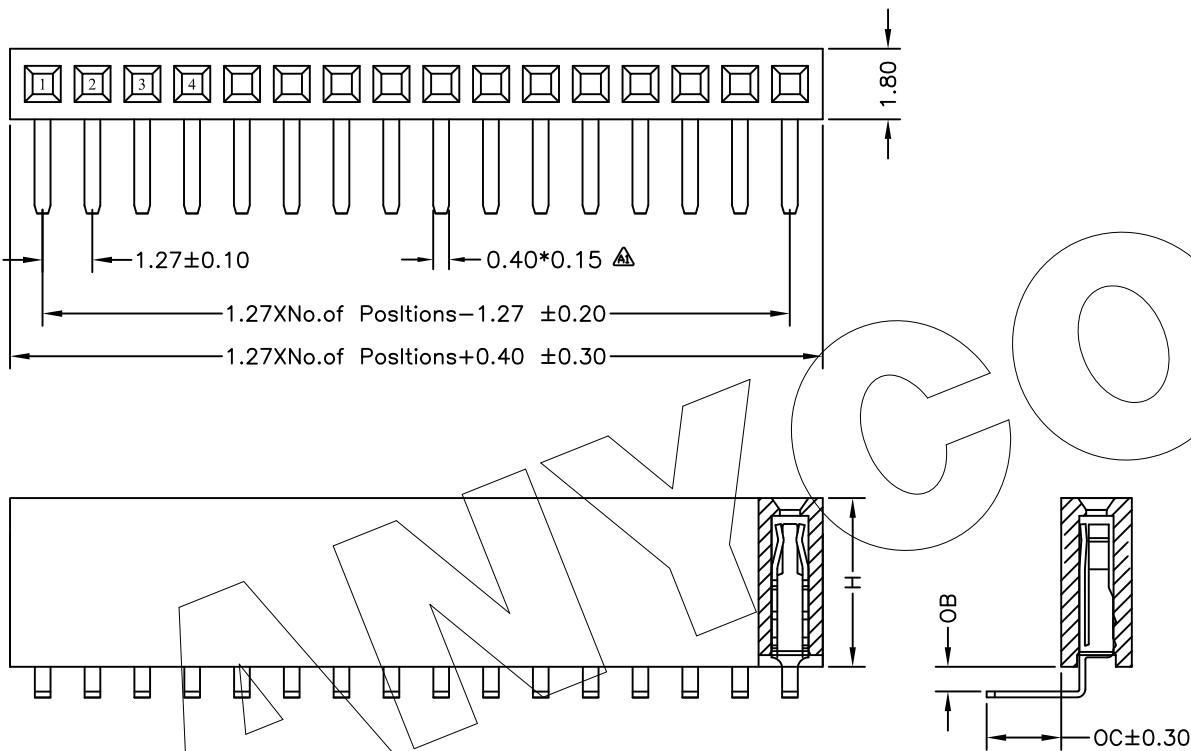
REVISION DATA		
REV	DESCRIPTION	DATE
A0	NEW DRAWING	2011-05-23

Technical Data

Material:
 Contact Material: Phosphor Bronze
 Insulator Material: Black Polyester UL94V-0
 Standard: PA6T+30%G.F

Electrical:
 Current rating: 1.0Amps/contact max.
 Contact resistance: $\leq 20\text{m}\Omega$ /contact
 Insulation resistance: $\geq 500\text{M}\Omega$ at $V=100\text{V}$
 Withstanding Voltage: 300V AC/minute

Mechanical:
 Operating temperatures: Gold Plated: -55°C to $+105^{\circ}\text{C}$
 Tin plated: -40°C to $+105^{\circ}\text{C}$
 Soldering temperature: $+260^{\circ}\text{C}$, 10s max.



P.C.B LAYOUT

F136	11	XXX	XX	R	C	B	N	B	00
Product Descriptions	Product Type 11 Single row	No. of Positions XXX Poles	Pin Plating G1 Gold 1u" SN Tin Plated	Angle options R Right Angle	Insulator Material C PA6T	Color B Black		Series NO.	

ANYCONN® 东莞市恩康电子有限公司
 www.enkcom.com **DONGGUAN ANYCONN ELECTRONICS CO.,LTD**

TOLERANCE	PROJECTON		TITLE: Pitch 1.27 H4.30mm Single Row Right Angle Female Header
ANGLE $\pm 5^{\circ}$	DATE :	2011-05-23	PART NO: F13611XXXXRXXNB00
X.XXX ± 0.10	DRAWN :	<i>Lijunhua</i>	DRAWING NO:
X.XX ± 0.20	CHECKED :		REV: A1 UNIT: mm SCALE: 1:1 SIZE: A4
X.X ± 0.30	APPROVED :		
X. ± 0.50			