

4

3

2

1

REVISION DATA

REV	DESCRIPTION	DATE
A0	NEW DRAWING	2013-10-15

Technical Data

Material:

Contact Material: Brass

Contact plating: See of part NO.

Insulator Material: Black Polyester UL94V-0

Standard: See of part NO,

Electrical:

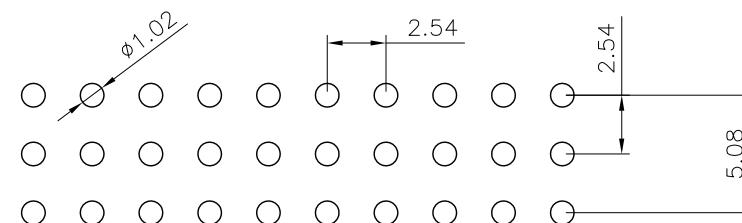
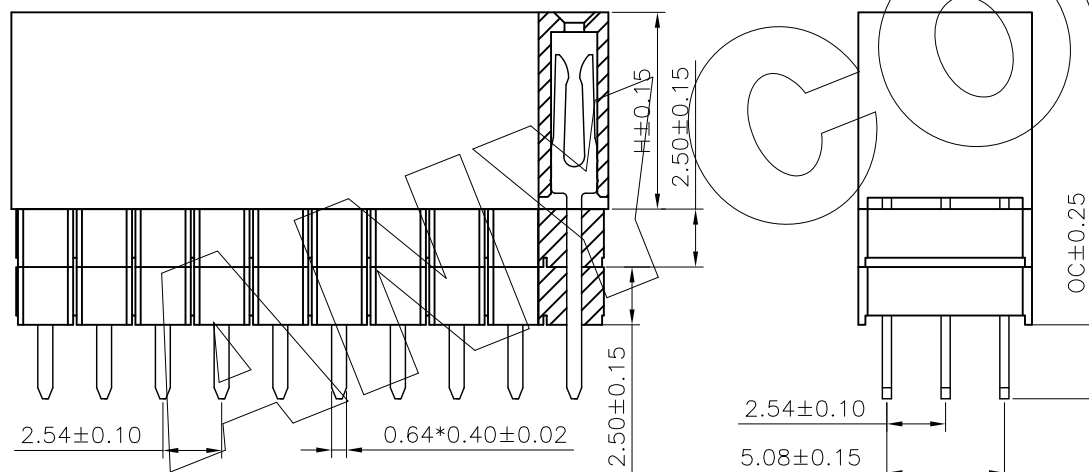
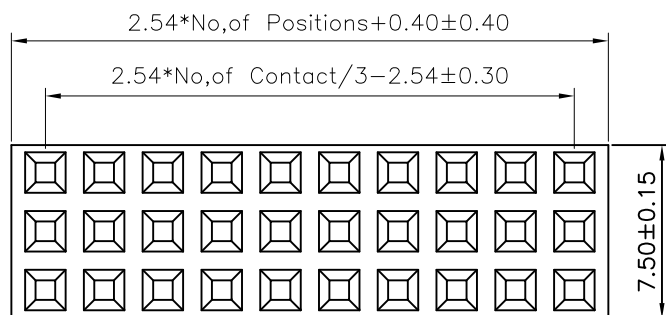
Current rating: 3.0Amps/contact max.

Contact resistance: $\leq 20\text{m}\Omega/\text{contact}$ Insulation resistance: $\geq 1000\text{M}\Omega$ at $V=100\text{V}$

Withstanding Voltage: 1000V AC/minute

Mechanical:

Mechanical life cycle: min.200

Operating temperatures: Gold Plated: -55°C to $+105^{\circ}\text{C}$ Tin plated: -40°C to $+105^{\circ}\text{C}$ Soldering temperature: $+220^{\circ}\text{C}$ max(PBT) $+260^{\circ}\text{C}$ max(PA6T)

P.C.B LAYOUT

F134	23	XXX	XX	D	X	B	N	A	00
Product Descriptions F134 H=8.5	Product Type 23 Triple Row	No. of Positions XXX Poles	Pin Plating G1 Gold 1u" SN Sn120u"	Angle options D Straight	Insulator Material A PBT C PA6T	Color B Black		Series NO.	

ANYCONN® 东莞市恩康电子有限公司

www.enkcom.com

DONGGUAN ANYCONN ELECTRONICS CO.,LTD

TOLERANCE	PROJECTON		TITLE: PH2.54 H8.50mm Triple Row Straight Female Header
ANGLE $\pm 5^{\circ}$	DATE :	2013-10-15	PART NO: F13423XXXXDXBNA00
X.XXX ± 0.10	DRAWN :	james	DRAWING NO:
X.XX ± 0.20	CHECKED :		REV: A0
X.X ± 0.30	APPROVED :		UNIT: mm
X. ± 0.50			SCALE: 3:1
			SIZE: A4

4

3

2

1