

4

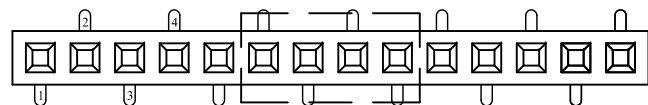
3

2

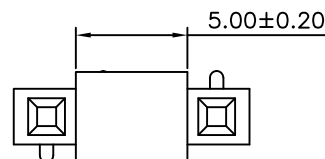
1

REVISION DATA

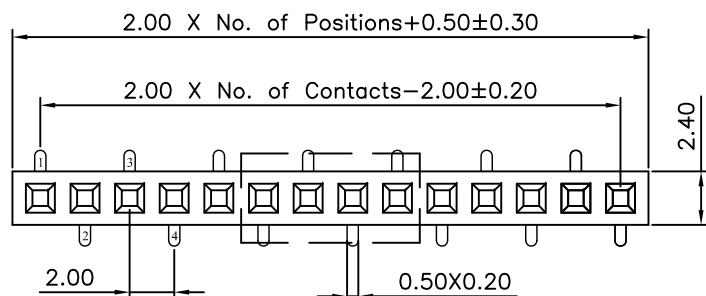
REV	DESCRIPTION	DATE
A0	NEW DRAWING	2011-04-07



A Type



2-4pin



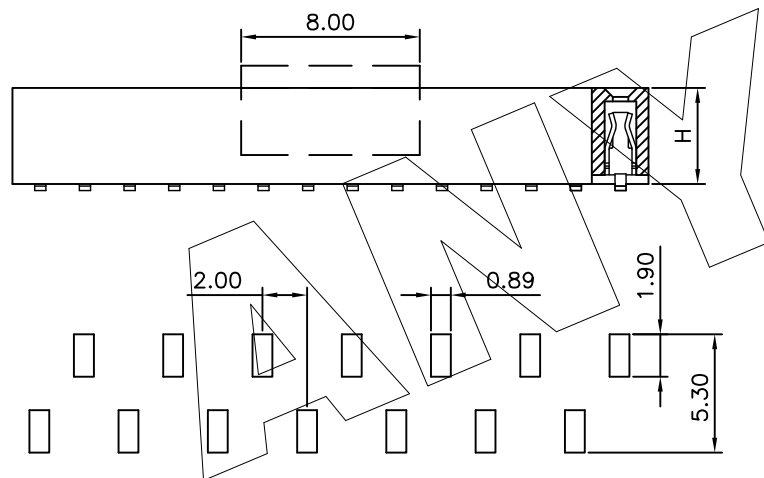
B Type

Technical Data

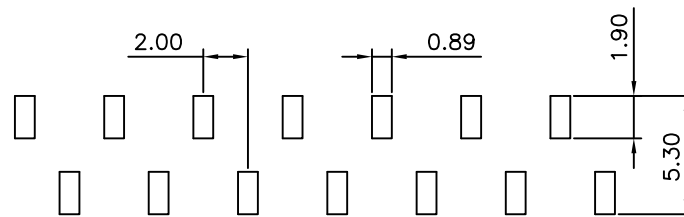
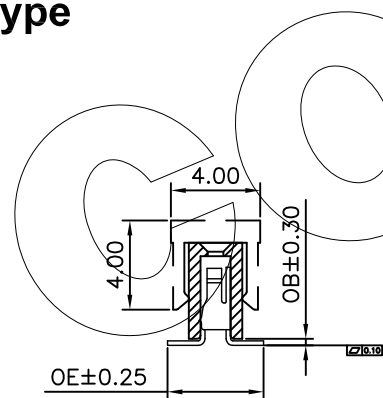
Material:
 Contact Material: Phosphor Bronze
 Insulator Material: Black Polyester UL94V-0
 Standard: PA6T+30%G.F

Electrical:
 Current rating: 2.0Amps/contact max.
 Contact resistance: ≤20mΩ/contact
 Insulation resistance: ≥1000MΩ at V=100V
 Withstanding Voltage: 500V AC/minute

Mechanical:
 Operating temperatures: Gold Plated: -55°C to +105°C
 Tin plated: -40°C to +105°C
 Soldering temperature: +260°C, 10s max.



A Type P.C.B LAYOUT



B Type P.C.B LAYOUT

F122	11	XXX	XX	X	X	B	N	A	0C
Product Descriptions	Product Type 11 Single row	No. of Positions XXX Poles	Pin Plating G1 Gold 1u" SN Tin Plated	Angle options A SMT/ A Type B SMT/ B Type	Insulator Material A PBT B PA-66 C PA6T D LCP E PA46 N 本色	Color B Black		Series NO.	

ANYCONN® 东莞市恩康电子有限公司
 www.enkcom.com **DONGGUAN ANYCONN ELECTRONICS CO.,LTD**

TOLERANCE	PROJECTON		TITLE: Pitch2.0 H4.3mm Single Row SMT Female Header With Cap
ANGLE ±5°	DATE :	2011-04-07	
X.XXX ±0.10	DRAWN :	hejg	PART NO: F12211XXXXXXXXXBNA0C
X.XX ±0.20	CHECKED :		DRAWING NO: EP-F12211-009
X.X ±0.30	APPROVED :		REV: A1 UNIT: mm SCALE: 1:1 SIZE: A4
X. ±0.50			

4

3

2

1