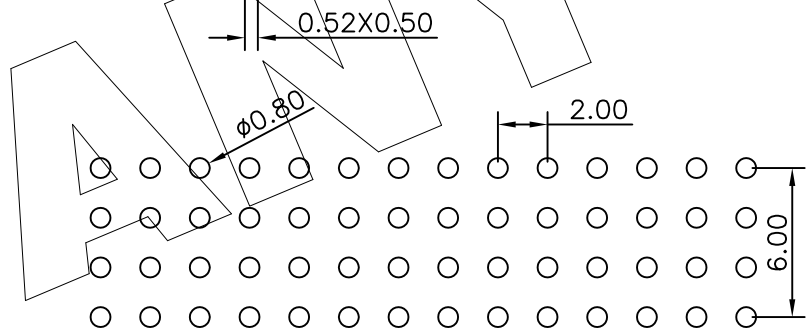
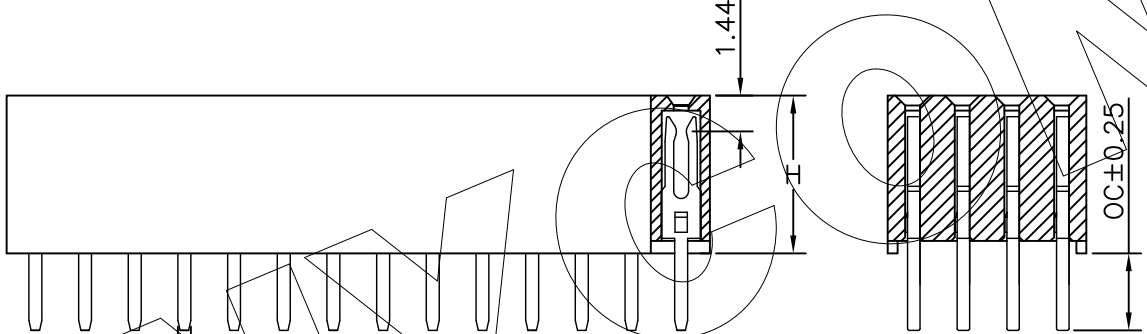
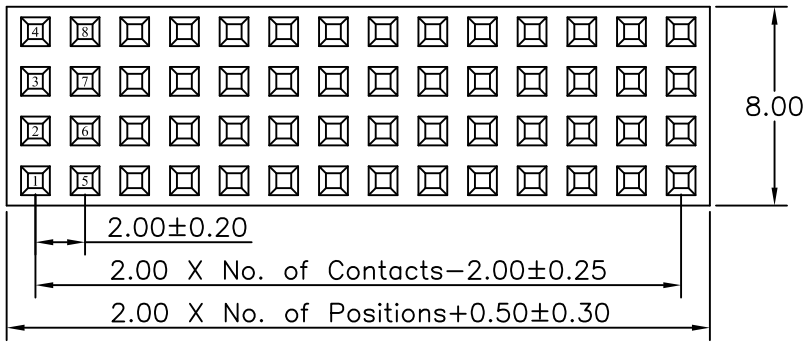


REVISION DATA		
REV	DESCRIPTION	DATE
A0	NEW DRAWING	2010-03-24



P.C.B LAYOUT

Technical Data

Material:
 Contact Material: Phosphor Bronze
 Contact plating: Au or Sn Over 50μ" Ni
 Insulator Material: Black Polyester UL94V-0
 Standard: PBT or PA6T +30%G.F

Electrical:
 Current rating: 1.5Amps/contact max.
 Contact resistance: ≤20mΩ/contact
 Insulation resistance: ≥1000MΩ at V=100V
 Withstanding Voltage: 450V AC/minute

Mechanical:
 Mechanical life cycle: min.200
 Operating temperatures: Gold Plated: -55°C to +105°C
 Tin plated: -40°C to +105°C
 Soldering temperature: +220°C max(PBT)
 +260°C max(PA6T)

F124	14	XXX	XX	D	X	X	N	A	00
Product Descriptions F124 H=6.35	Product Type 14 Four row	No. of Positions XXX Poles	Pln Plating G0 Gold Flash SN Tin Plated	Angle options D Straight	Insulator Material A PBT B PA66 C PA6T D LCP	Color B Black W White L Blue G Green Y Yellow R Red N Natural		Series NO. A OC=3.10mm	

ANYCONN® 东莞市恩康电子有限公司
 www.enkcom.com **DONGGUAN ANYCONN ELECTRONICS CO.,LTD**

TOLERANCE	PROJECTON		TITLE: Pitch 2.54 H6.35mm Four Row Straight Female Header
ANGLE ±5°	DATE :	2010-03-24	PART NO: F12414XXXXDXXNA00
X.XXX ±0.10	DRAWN :	Heguangfeng	DRAWING NO: ANC-F12414XXXXDXXNA00
X.XX ±0.20	CHECKED :		REV: A0 UNIT: mm SCALE: 3:1 SIZE: A4
X.X ±0.30	APPROVED :		
X. ±0.50			