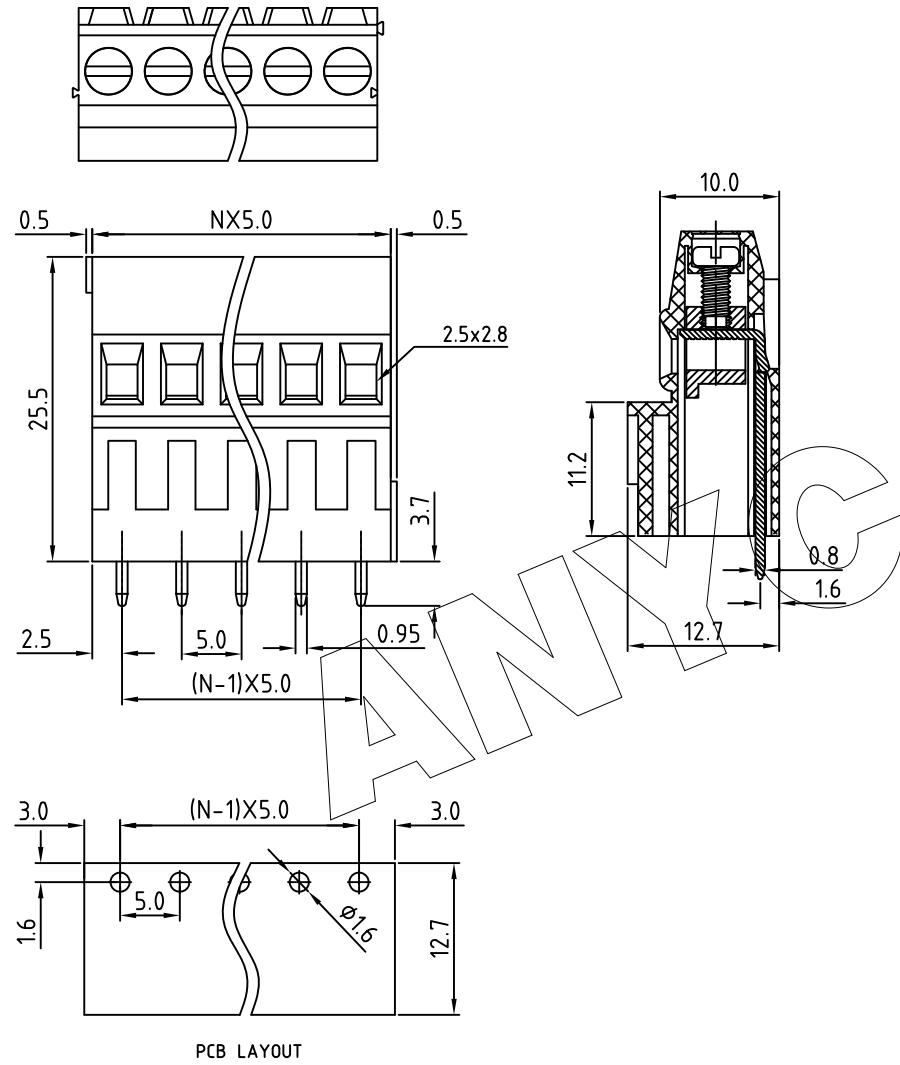
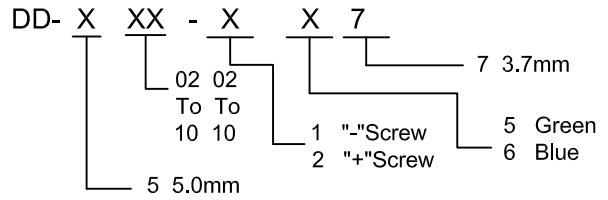


REVISION DATA

REV	DESCRIPTION	DATE
A0	NEW DRAWING	2009-08-15



Technical Data:
Material:
 Contact(metal housing): Zinc Die Casting
 or Brass Machined(option)
 Terminal screw: Steel galvanized and achromatized
 or Nickel plated or Tin plated(standard)(optian)
 Solder Pin: Brass with Tin plated
 Insulator body(housing): Polyamide(Glass filled)(UL94V-0)
Electrical
 Voltage rating: 250VAC
 Current rating: 10 Amps/way max
 Contact resistance: 20mΩ (max)
 Insulation resistance: 5000M Ω/1000V
 Withstanding Voltage: 1500VAC(1min) Test time=60sec/1pcs
 Wire range: 16-26AWG
Mechanical:
 Torque: 4kgf.cm/M2.5
 Operating temperature: -40°C to +120°C
 Soldering reliability:
 Test temperature= 250°C±10°C /5 seconds max
Ordering Information:



ANYCONN® 东莞市恩康电子有限公司
 www.enkcom.com **DONGGUAN ANYCONN ELECTRONICS CO.,LTD**

TOLERANCE	PROJECTON		TITLE:
ANGLE ±5°	DATE :	2009-08-15	DD Pitch 5.0mm Series
X.XXX ±0.15	DRAWN :	Jason	PART NO: DD5XX1X7C
X.XX ±0.20	CHECKED :		DRAWING NO: AN-DD5XX1X7C
X.X ±0.30	APPROVED :		REV: A0 UNIT: mm SCALE: 3:1 SIZE: A4
X. ±0.50			