

4

3

2

1

REVISION DATA

REV	DESCRIPTION	DATE
A0	NEW DRAWING	2015-07-29

Technical Data:

Material:

Contact(metal housing): Brass with Gold Plated 1u"

Terminal screw: Steel Galvanized and chromated
or Nickel plated or Tin plated(standard)(optian)

Wire guard: PhBZ, Tin plated.

Insulator body(housing): PA66(UL94V-0)

Electrical

Voltage rating: 250VAC

Current rating: 10 Amps/way max

Contact resistance: 20mΩ (max)

Insulation resistance: 5000MΩ /1000V

Withstanding Voltage: 1500VAC(1min) Test time=60sec/1pcs

Wire range: 14-26AWG

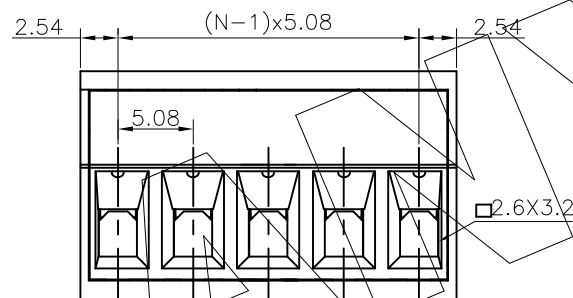
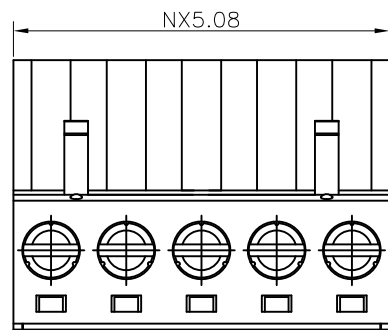
Mechanical:

Torque: 4.3kgf.cm/M3

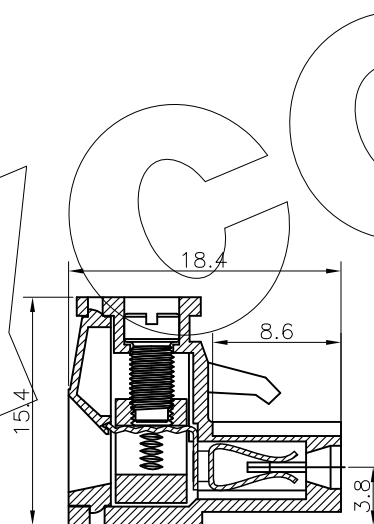
Operating temperature: -40°C to +120°C

AJ - X XX - X X 0

5	Green
6	Blue
A	Black
O	Orange
1	"-"Screw
2	"+"Screw



N=Number of contacts



ANYCONN® 东莞市恩康电子有限公司

www.enkcom.com

DONGGUAN ANYCONN ELECTRONICS CO.,LTD

TOLERANCE	PROJECTON		TITLE:
ANGLE ±5°	DATE :	2015-07-29	AJ Pitch 5.08mm Series
X.XXX ±0.10	DRAWN :	Songjun	PART NO: AJEXX1X0B
X.XX ±0.20	CHECKED :		DRAWING NO:
X.X ±0.30	APPROVED :		REV: A0 UNIT: mm SCALE: 1:1 SIZE: A4
X. ±0.50			