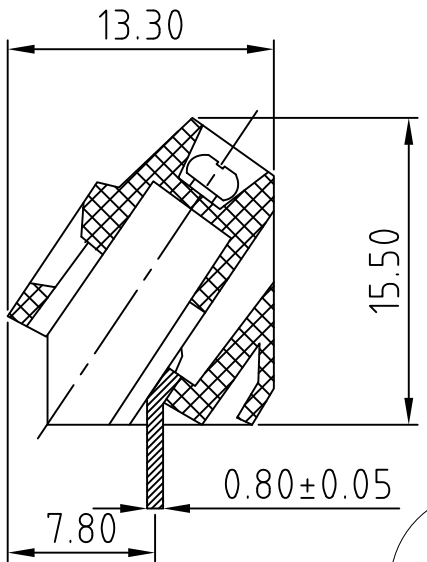
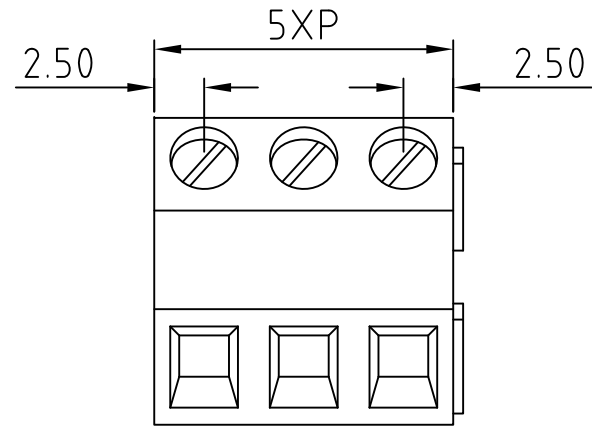


REVISION DATA		
REV	DESCRIPTION	DATE
A0	NEW DRAWING	2012-06-06



**Technical Data:**

**Material:**

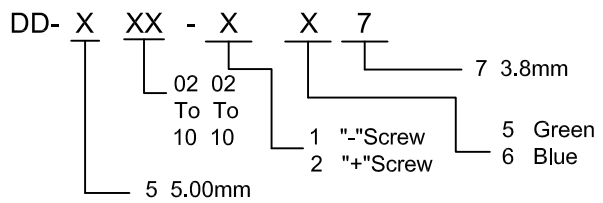
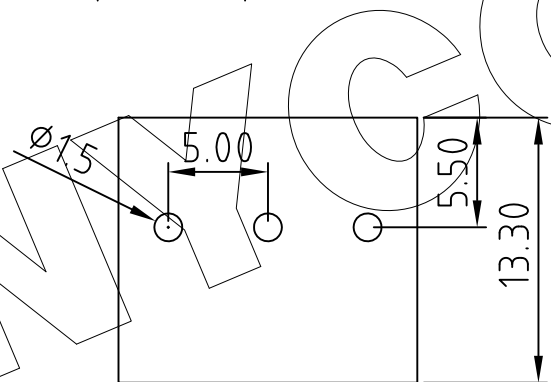
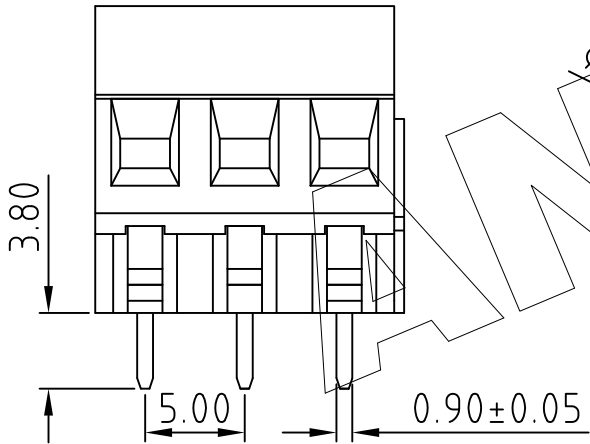
- Contact(metal housing): Brass Machined(option)
- Terminal screw: Steel galvanized and achromatized or Nickel plated or Tin plated(standard)(optian)
- Solder Pin: Brass with Tin plated
- Insulator body(housing): PA66(UL94V-0)

**Electrical**

- Voltage rating: 300VAC
- Current rating: 10 Amps/way max
- Contact resistance: 20mΩ (max)
- Insulation resistance: 5000M Ω/1000V
- Withstanding Voltage: 1500VAC(1min) Test time=60sec/1pcs
- Wire range: 24-12AWG

**Mechanical:**

- Operating temperature: -40°C to +105°C
- Soldring reliability: Test temperature= 250°C /5 seconds max



**ANYCONN® 东莞市恩康电子有限公司**  
www.enkcom.com **DONGGUAN ANYCONN ELECTRONICS CO.,LTD**

TOLERANCE ANGLE ±5° X.XXX ±0.15 X.XX ±0.20 X.X ±0.30 X. ±0.50	PROJECTON		TITLE: DD Pitch 5.00mm Series
	DATE :	2012-06-06	PART NO: DD5XX1X7K
	DRAWN :	LSJ	DRAWING NO:
	CHECKED :		REV: A0 UNIT: mm SCALE: 3:1 SIZE: A4
APPROVED :			