

4

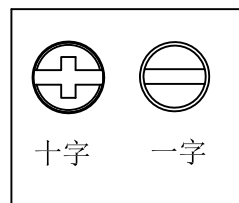
3

2

1

## REVISION DATA

REV	DESCRIPTION	DATE
A0	NEW DRAWING	2012-11-01



## Technical Data:

Material:

Contact(metal housing): Brass (CuZn)

Terminal screw: Steel galvanized and chromate

Wire guard: PhBz

Insulator body(housing): Glass-Filled

Thermoplastic:UL94V-0 Rated

Electrical

Voltage rating: 250VAC

Current rating: 8 Amps/way max

Contact resistance: 20mΩ (max)

Insulation resistance: 5000MΩ /1000V

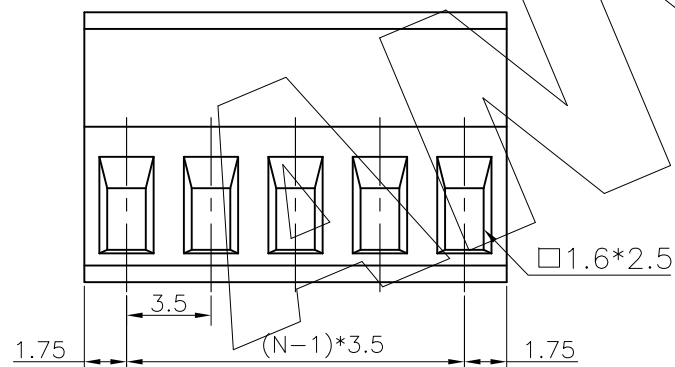
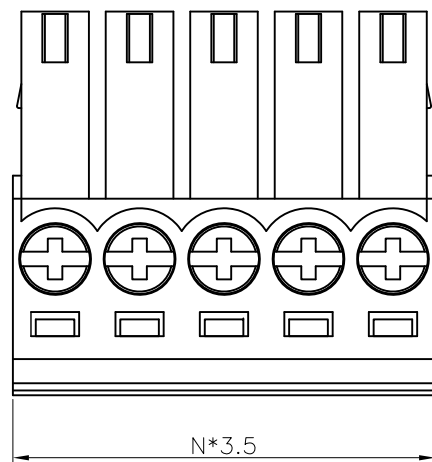
Withstanding Voltage: 1500VAC(Imim)

Wire range:16-24AWG

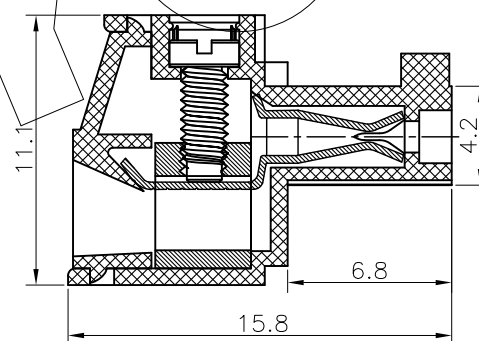
Mechanical:

Torque:2.2kgf.cm/M2

Opweating temperature:-40°C TO+105°C



N=Number of contacts



AJ - X	XX - X	X 0	
	02 02		5 Green
	To To		6 Blue
	24 24		A Black
	3 3.5mm		1 "-"Screw
	C 3.81mm		2 "+"Screw

ANYCONN® 东莞市恩康电子有限公司

www.enkcom.com

DONGGUAN ANYCONN ELECTRONICS CO.,LTD

TOLERANCE	PROJECTON		TITLE:
ANGLE ±5°	DATE :	2012-11-01	AJ Pitch 3.5mm series
X.XXX ±0.10	DRAWN :	LSJ	PART NO: AJ3XXXX0B
X.XX ±0.20	CHECKED :		DRAWING NO: EP-AJ-011
X.X ±0.30	APPROVED :		REV: A0 UNIT: mm SCALE: 1:1 SIZE: A4
X. ±0.50			