

4

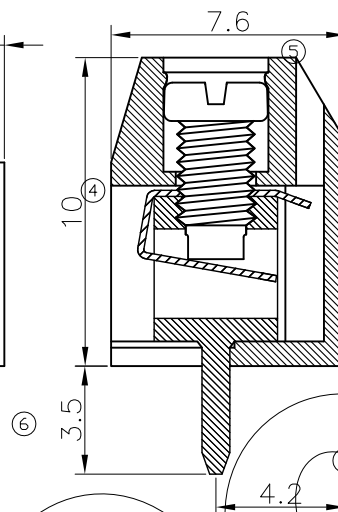
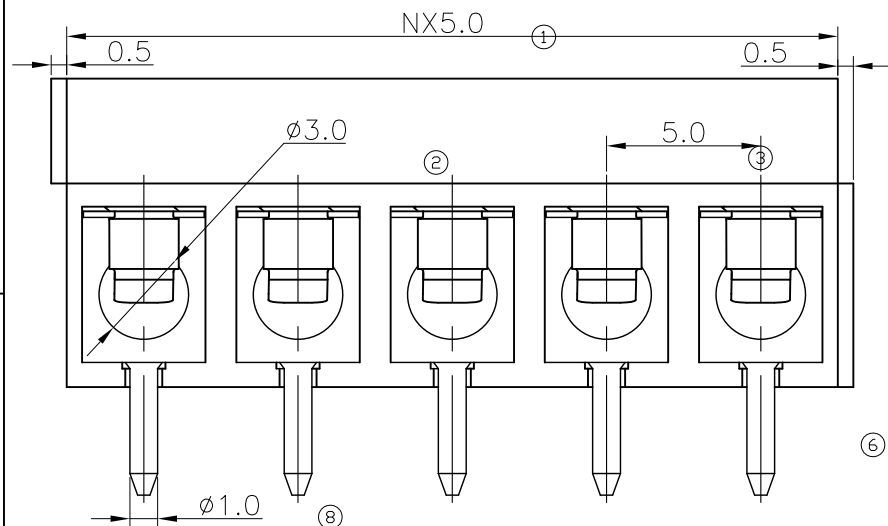
3

2

1

REVISION DATA

REV	DESCRIPTION	DATE
A0	NEW DRAWING	2015-07-06



Technical Data:

Material:

Contact(metal housing): Brass Stamping

Terminal screw: Steel galvanized and chromated or Nickel plated or Tin plated (standard) (option)

Wire guard: Copper Alloy

Surface of solder tail: Tin plated

Insulator body(housing): Polyamide(Glass filled)(UL94V-0)

Electrical

Voltage rating: 300VAC

Current rating: 8 Amps/way max

Insulation resistance: 5000M Ω /1000V

Withstanding Voltage: 1500VAC(1min) Test time=60sec/1pcs

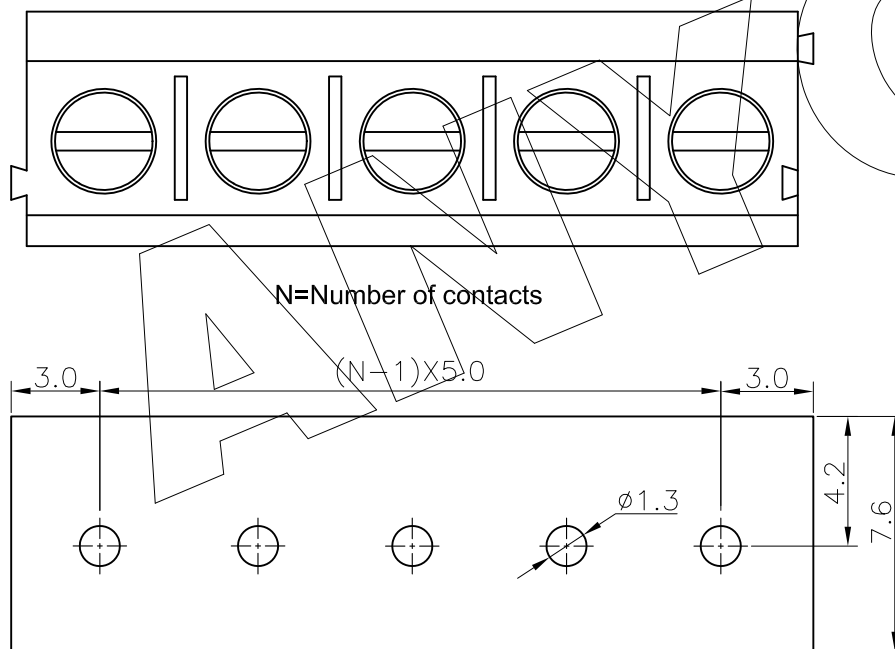
Wire range: 14-26AWG

Torgue: 4kgf.cm/M2.5

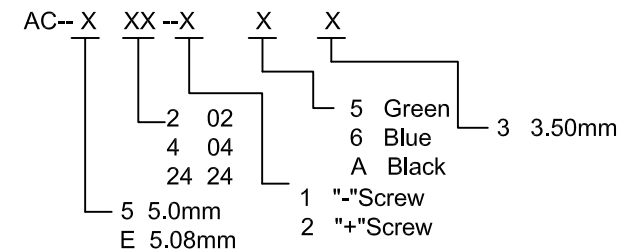
Mechanical:

Operating temperature: -30°Cto+105°C

Soldering reliability:

Test temperature= 250°C \pm 10°C/5 seconds max

P.C.B. LAYOUT



ANYCONN® 东莞市恩康电子有限公司

www.enkcom.com

DONGGUAN ANYCONN ELECTRONICS CO.,LTD

TOLERANCE	PROJECTON		TITLE:
ANGLE $\pm 5^\circ$	DATE :	2015-07-06	AC 5.0mm Series
X.XXX ± 0.10	DRAWN :	Songjun	PART NO: AC3153A
X.XX ± 0.20	CHECKED :		DRAWING NO:
X.X ± 0.30	APPROVED :		REV: A1
X. ± 0.50			UNIT: mm
			SCALE: 3:1
			SIZE: A4

4

3

2

1