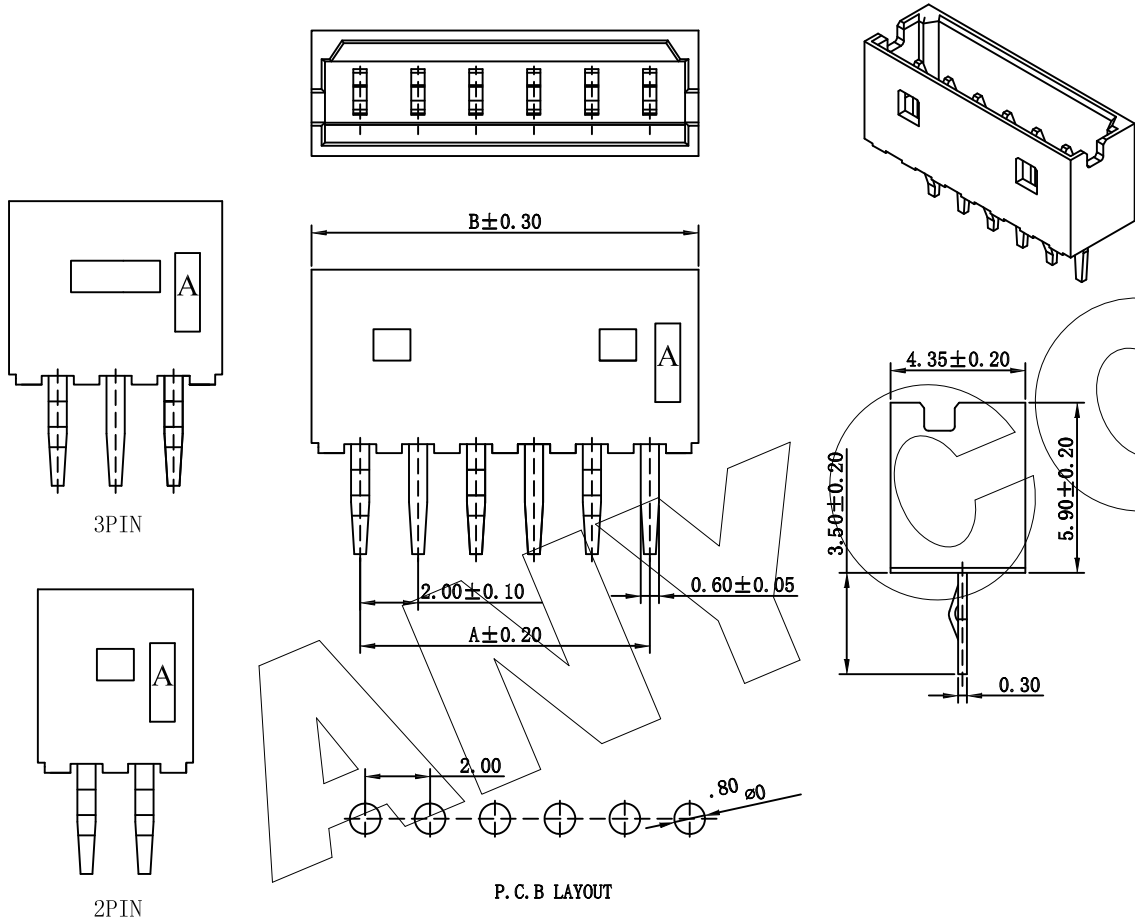


REVISION DATA

REV	DESCRIPTION	DATE
A0	NEW DRAWING	2016-5-19



Specifications:

- Voltage rating: 125V AC / DC
- Current rating: 2A AC / DC
- Withstanding voltage: 800V AC/minute
- Temperature range:  $-20^{\circ}\text{C} \sim +85^{\circ}\text{C}$
- Insulation resistance:  $\geq 1000\text{M}\Omega$
- Contact resistance:  $\leq 20\text{m}\Omega$
- After environmental testing:  $\leq 30\text{m}\Omega$

Ordering Information & Dimensions

Poles	Dimensions (mm)		Poles	Dimensions (mm)	
	A	B		A	B
02	2.00	6.00	09	16.00	20.00
03	4.00	8.00	10	18.00	22.00
04	6.00	10.00	11	20.00	24.00
05	8.00	12.00	12	22.00	26.00
06	10.00	14.00	13	24.00	28.00
07	12.00	16.00	14	26.00	30.00
08	14.00	18.00	15	28.00	32.00

<b>WF</b>	<b>B</b>	<b>D</b>	<b>XX</b>	<b>XXX</b>	<b>XX</b>	<b>X</b>	<b>N</b>	<b>DXX1</b>
Pitch B PH2.0	D 180°	XX Positions	XXX Positions	G0 Gold Flash SN Tin Plated	Insulator Material A PBT B PA66 C PA6T P PC F PA9T	W With peg N NO Peg L With lock T Fixed tabs		DXX1

ANYCONN® 东莞市恩康电子有限公司

www.enkcom.com

DONGGUAN ANYCONN ELECTRONICS CO.,LTD

TOLERANCE	PROJECTON		TITLE:
ANGLE $\pm 5^{\circ}$	DATE:	2016-5-19	2.0mm Crimp Style connectors
X.XXX $\pm 0.10$	DRAWN:	ZHANG	PART NO: WFBXXXXXXXXNDXX1
X.XX $\pm 0.20$	CHECKED:		DRAWING NO: A2002WV-NP-N0NAX
X.X $\pm 0.30$	APPROVED:		REV: A0 UNIT: mm SCALE: 3:1 SIZE: A4
X. $\pm 0.50$			